



ATLANTIC
Fluid Tech

**IN LINE VALVES
CATALOGUE**

IN LINE VALVES

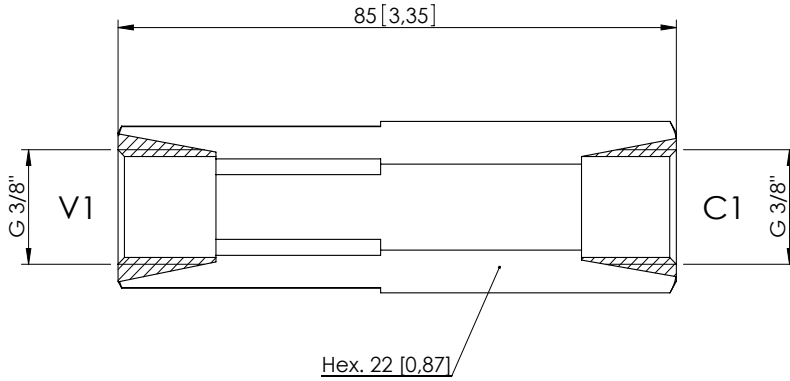


| Hydraulic scheme | Valve description | Valve type | Rated flow l/min (gpm) | Max. pressure bar (psi) | Installation | Main port size or cavity type | Page |
|------------------|----------------------------------|-------------------------------------|---------------------------|----------------------------|--------------|----------------------------------|----------|
| | CPSN-060-DPGD | Direct acting, with anti-cavitation | 60 (16) | 350 (5000) | Sleve | G3/8" | 1.00.010 |
| | CPST-060-DHLD | Differential, compensated | 60 (16) | 350 (5000) | Sleve | G3/8" | 1.00.020 |
| | CPST-100-DHLD | Differential, compensated | 100 (26) | 350 (5000) | Sleve | G1/2" | 1.00.030 |
| | CDVN-015-SSNS | Sphere type, bidirectional | 15 (4) | 350 (5000) | Insert | G 1/4" | 1.00.040 |
| | CDVN-030-SSNS | Sphere type, bidirectional | 30 (8) | 350 (5000) | Insert | G 3/8" | 1.00.050 |
| | CDVN-050-SSNS | Sphere type, bidirectional | 50 (13) | 350 (5000) | Insert | G 1/2" | 1.00.060 |
| | CDVN-070-PSNS | Sphere type, bidirectional | 70 (19) | 350 (5000) | Insert | G1/2" | 1.00.070 |
| | CDVN-120-PSNS | Sphere type, bidirectional | 120 (32) | 350 (5000) | Insert | G3/4" | 1.00.080 |
| | CDVN-030-PSNC-MF | Poppet type | 30 (8) | 350 (5000) | Sleeve | G1/4" | 1.00.090 |
| | CDVN-050-PSNC-MF | Poppet type | 50 (13) | 350 (5000) | Sleeve | G3/8" | 1.00.090 |
| | CDVN-090-PSNC-MF | Poppet type | 90 (24) | 350 (5000) | Sleeve | G1/2" | 1.00.090 |
| | CDVN-150-PSNC-MF | Poppet type | 150 (40) | 350 (5000) | Sleeve | G3/4" | 1.00.090 |
| | CDVN-200-PSNC-MF | Poppet type | 200 (53) | 350 (5000) | Sleeve | G1" | 1.00.090 |
| | CDVN-250-PSNC-MF | Poppet type | 250 (66) | 350 (5000) | Sleeve | G1"1/4 | 1.00.090 |
| | CDVN-030-PSNC-FF | Poppet type | 30 (8) | 350 (5000) | Sleeve | G1/4" | 1.00.100 |
| | CDVN-050-PSNC-FF | Poppet type | 50 (13) | 350 (5000) | Sleeve | G3/8" | 1.00.100 |
| | CDVN-090-PSNC-FF | Poppet type | 90 (24) | 350 (5000) | Sleeve | G1/2" | 1.00.100 |
| | CDVN-150-PSNC-FF | Poppet type | 150 (40) | 350 (5000) | Sleeve | G3/4" | 1.00.100 |
| | CDVN-200-PSNC-FF | Poppet type | 200 (53) | 350 (5000) | Sleeve | G1" | 1.00.100 |
| | CDVN-250-PSNC-FF | Poppet type | 250 (66) | 350 (5000) | Sleeve | G1"1/4 | 1.00.100 |
| | CDFN-010-PSNC | Poppet type | 10 (3) | 350 (5000) | Sleeve | G1/4" | 1.00.110 |

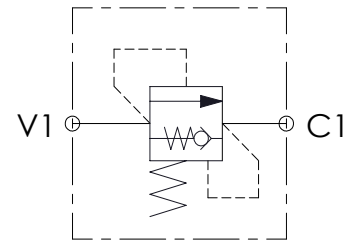
SEQUENCE SLEEVE VALVE

CPSN-060-DPGD

DIRECT ACTING
WITH ANTI-CAVITATION
POPPET TYPE



Dimensions: mm [inches]



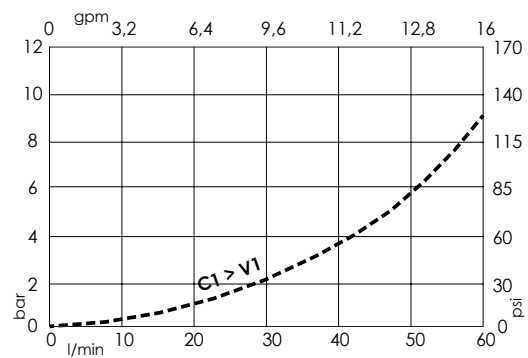
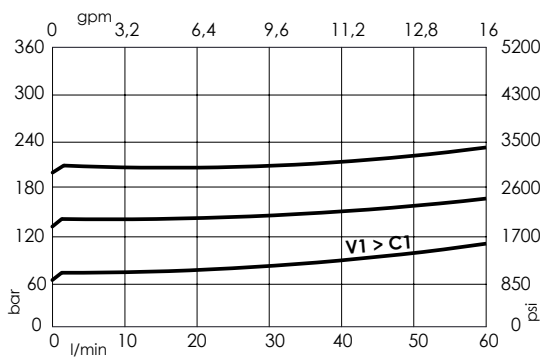
SPECIFICATIONS

| | |
|----------------------------------|--|
| Max. operating pressure: | 350 bar (5000 psi) |
| Rated flow: | 60 l/min (16 gpm) |
| Ports: | G 3/8" |
| Weight: | 0,2 kg (0,44 lbs) |
| Leakage: | 1 cm ³ /min (0,06 in ³ /min) to 80% of nominal set point |
| Manifold: | Steel |
| Contamination class to ISO 4406: | See technical spec. |
| MTF _d : | 150 - 1200 years: See technical spec. |

NOTES

For other configurations/quick codes not available in this catalogue page please consult factory

CURVES



ORDERING CODES

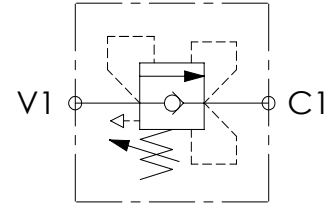
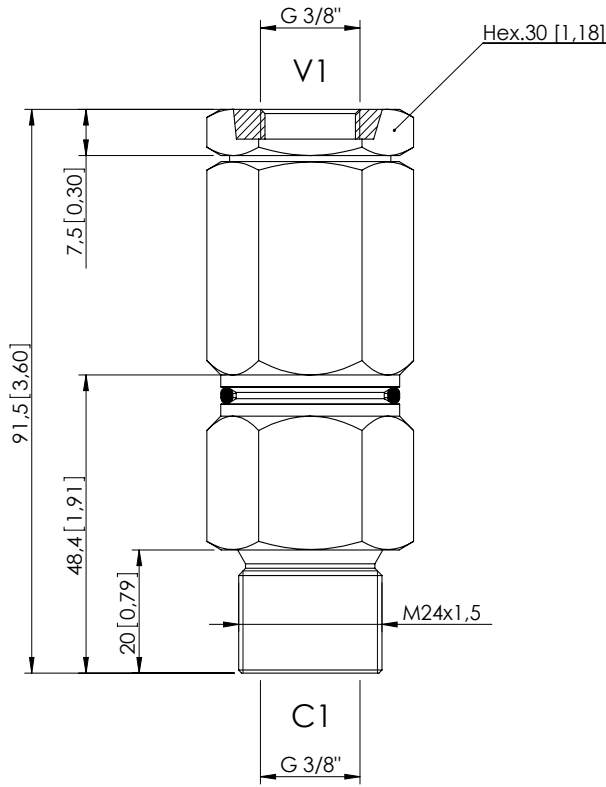
| Quick code | Standard setting Q=1 l/min (0,3 gpm) | Quick code | Standard setting Q=1 l/min (0,3 gpm) | Quick code | Standard setting Q=1 l/min (0,3 gpm) | Quick code | Standard setting Q=1 l/min (0,3 gpm) |
|------------|---|------------|---|------------|---|------------|---|
| CP000194 | 20 bar (300 psi) | CP000203 | 80 bar (1200 psi) | CP000210 | 140 bar (2000 psi) | CP000216 | 200 bar (2900 psi) |
| CP000197 | 30 bar (400 psi) | CP000204 | 90 bar (1300 psi) | CP000211 | 150 bar (2200 psi) | CP000217 | 210 bar (3000 psi) |
| CP000198 | 40 bar (600 psi) | CP000205 | 100 bar (1400 psi) | CP000212 | 160 bar (2300 psi) | | |
| CP000199 | 50 bar (700 psi) | CP000206 | 110 bar (1600 psi) | CP000213 | 170 bar (2500 psi) | | |
| CP000200 | 60 bar (900 psi) | CP000207 | 120 bar (1700 psi) | CP000214 | 180 bar (2600 psi) | | |
| CP000201 | 70 bar (1000 psi) | CP000208 | 130 bar (1900 psi) | CP000215 | 190 bar (2800 psi) | | |

Revision A1

SEQUENCE VALVE

CPST-060-DHLD

DIFFERENTIAL AREA COMPENSATED



SPECIFICATIONS

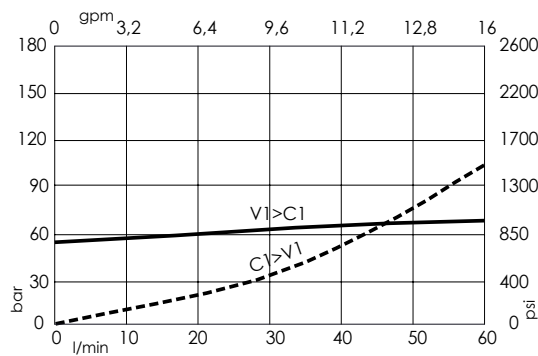
| | |
|----------------------------------|---------------------------------------|
| Max. operating pressure: | 350 bar (5000 psi) |
| Rated flow: | 60 l/min (16 gpm) |
| Body: | Steel |
| Weight: | 0,39 kg (0,86 lbs) |
| Contamination class to ISO 4406: | See technical spec. |
| MTF _d : | 150 - 1200 years: See technical spec. |

Dimensions: mm [inches]

NOTES

For other configurations/quick codes not available in this catalogue page please consult factory

CURVES



ORDERING CODES

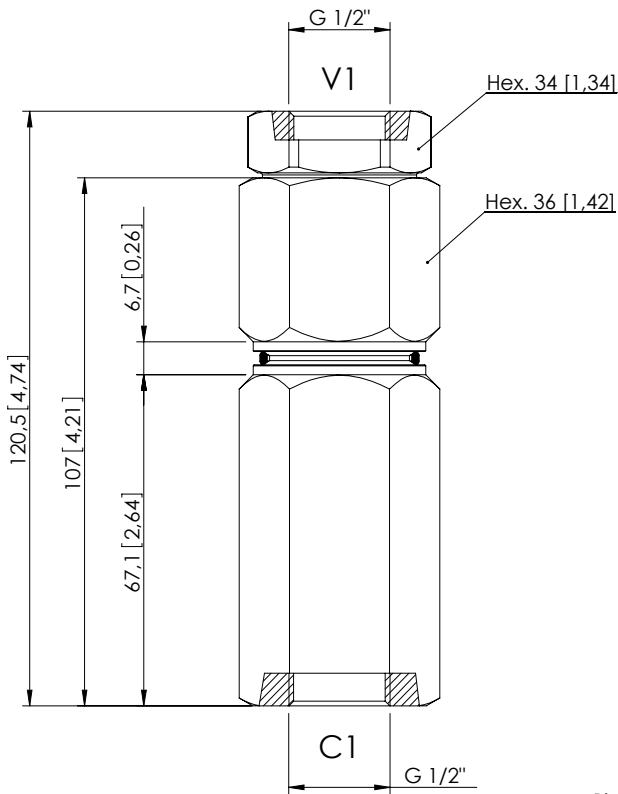
| Quick code | Description | Main ports size | Standard setting Q=5 l/min (1,3 gpm) | Adjustment range | Pressure increase |
|------------|---------------------------|-----------------|---|---------------------------|----------------------------|
| CP000091 | CPST-060-DHLD-GN-G38-N100 | V1,C1 : G 3/8" | 100 bar (1400 psi) | 50-140 bar (700-2000 psi) | 26 bar/turn (400 psi/turn) |
| CP000435 | CPST-060-DHLD-GN-G38-N120 | V1,C1 : G 3/8" | 120 bar (1700 psi) | 50-140 bar (700-2000 psi) | 26 bar/turn (400 psi/turn) |
| | | | | | |
| | | | | | |
| | | | | | |
| | | | | | |

Revision A1

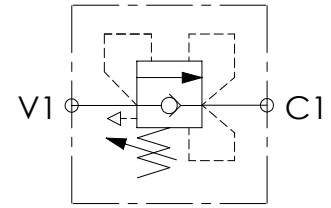
SEQUENCE VALVE

CPST-100-DHLD

DIFFERENTIAL AREA
POPPET TYPE
COMPENSATED



Dimensions: mm [inches]



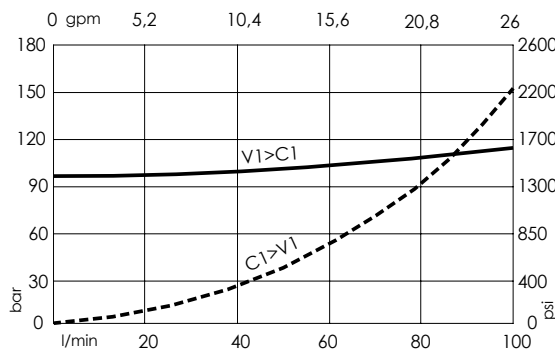
SPECIFICATIONS

| | |
|----------------------------------|---------------------------------------|
| Max. operating pressure: | 350 bar (5000 psi) |
| Rated flow: | 100 l/min (26 gpm) |
| Body: | Steel |
| Weight: | 0,82 kg (1,81 lbs) |
| Contamination class to ISO 4406: | See technical spec. |
| MTF _a : | 150 - 1200 years: See technical spec. |

NOTES

For other configurations/quick codes not available in this catalogue page please consult factory

CURVES



ORDERING CODES

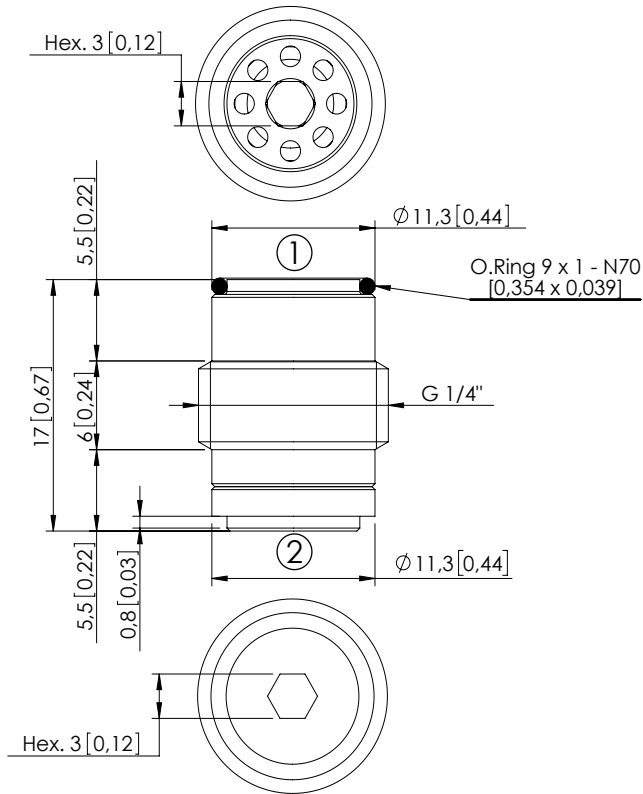
| Quick code | Description | Main ports size | Standard setting Q=5 l/min (1,3 gpm) | Adjustment range | Pressure increase |
|------------|---------------------------|-----------------|---|-----------------------------|----------------------------|
| CP000092 | CPST-100-DHLD-GN-G12-N140 | V1,C1: G1/2" | 100 bar (1400 psi) | 50-140 bar (700-2000 psi) | 27 bar/turn (400 psi/turn) |
| CP000269 | CPST-100-DHLD-GN-G12-N220 | V1,C1: G1/2" | 200 bar (2900 psi) | 100-220 bar (1400-3200 psi) | 39 bar/turn (550 psi/turn) |
| | | | | | |
| | | | | | |
| | | | | | |

Revision B1

CHECK VALVE

CDVN-015-SSNS

MONO-DIRECTIONAL
SPHERE TYPE



SPECIFICATIONS

| | |
|----------------------------------|---------------------------------------|
| Max. operating pressure: | 350 bar (5000 psi) |
| Rated flow: | 15 l/min (4 gpm) |
| Cavity: | VP000309 |
| Weight: | 0,01 kg (0,02 lbs) |
| Contamination class to ISO 4406: | See technical spec. |
| Installation torque: | 6 Nm (4,5 ft-lb) |
| MTF _a : | 150 - 1200 years: See technical spec. |

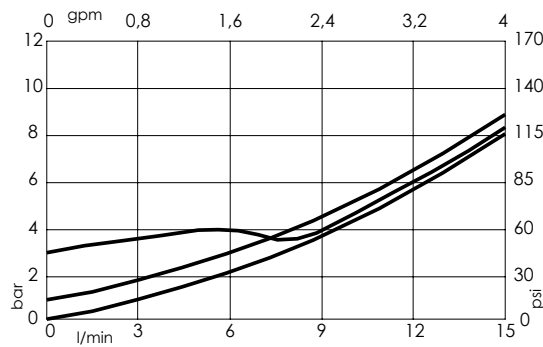
Dimensions: mm [inches]

NOTES

Bidirectional installations. Fit O-Ring to side first inserted in cavity.

For other configurations/quick codes not available in this catalogue page please consult factory

CURVES



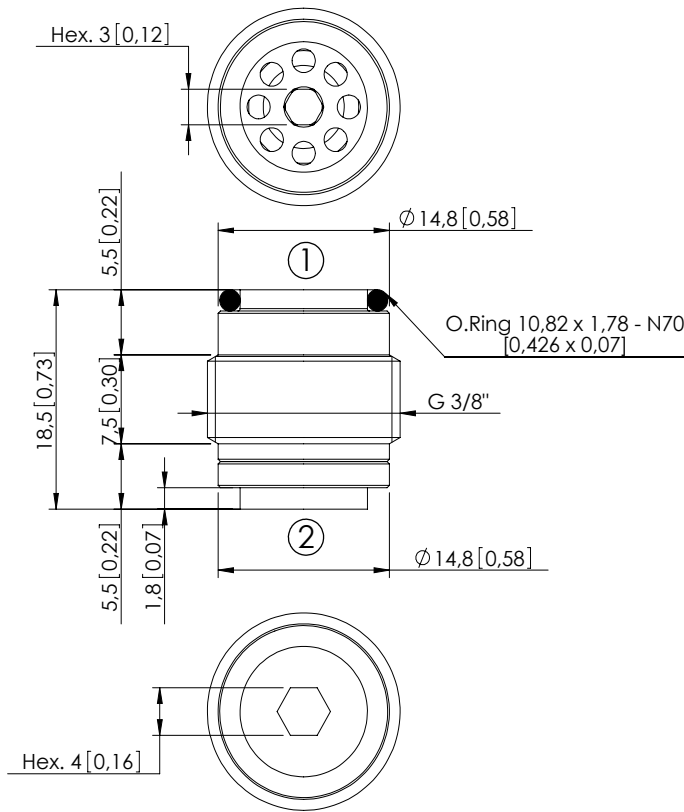
ORDERING CODES

| Quick code | Description | Cracking pressure | |
|------------|---------------------------|-------------------|--|
| CD000026 | CDVN-015-SSNS-FN-309-N003 | 3 bar (50 psi) | |
| CD000636 | CDVN-015-SSNS-FN-309-N001 | 1 bar (15 psi) | |
| CD000043 | CDVN-015-SSNS-FN-309-N000 | 0 | |
| | | | |
| | | | |

CHECK VALVE

CDVN-030-SSNS

MONO DIRECTIONAL
SPHERE TYPE



SPECIFICATIONS

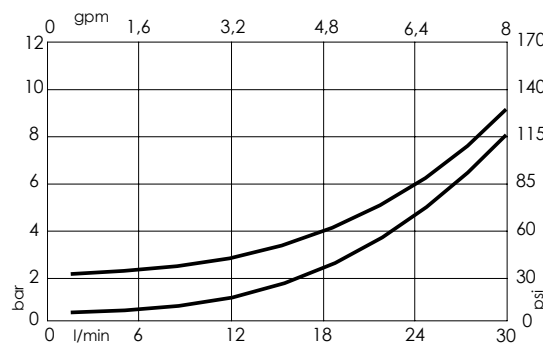
| | |
|----------------------------------|---------------------------------------|
| Max. operating pressure: | 350 bar (5000 psi) |
| Rated flow: | 30 l/min (8 gpm) |
| Cavity: | VP000310 |
| Weight: | 0,02 kg (0,04 lbs) |
| Contamination class to ISO 4406: | See technical spec. |
| Installation torque: | 8 Nm (6 ft-lb) |
| MTF _a : | 150 - 1200 years: See technical spec. |

Dimensions: mm [inches]

NOTES

- Bidirectional installations. Fit O-Ring to side first inserted in cavity.
- For other configurations/quick codes not available in this catalogue page please consult factory

CURVES



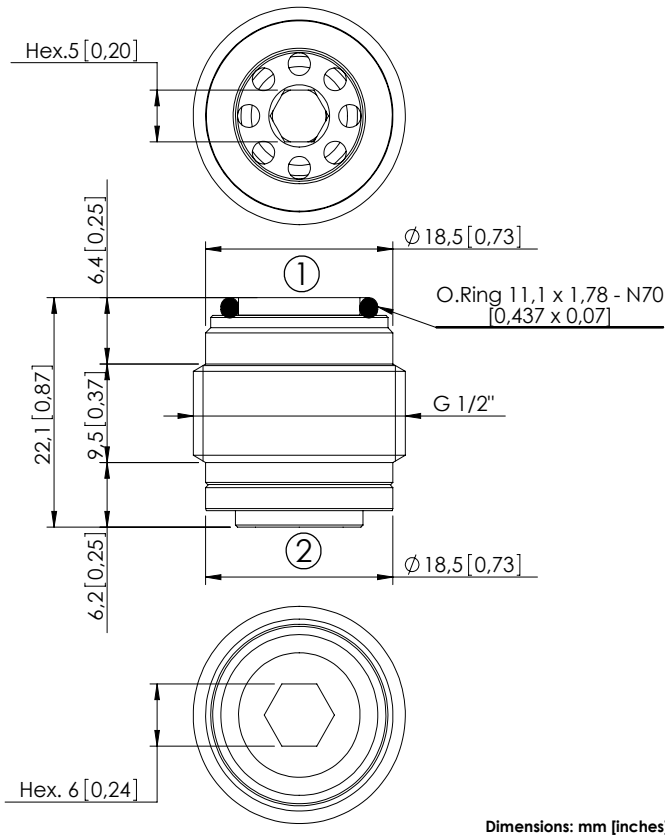
ORDERING CODES

| Quick code | Description | Cracking pressure | |
|------------|---------------------------|-------------------|--|
| CD000029 | CDVN-030-SSNS-FN-310-N002 | 2 bar (25 psi) | |
| CD000058 | CDVN-030-SSNS-FN-310-N000 | 0 | |
| | | | |
| | | | |
| | | | |
| | | | |

CHECK VALVE

CDVN-050-SSNS

BIDIRECTIONAL
SPHERE TYPE



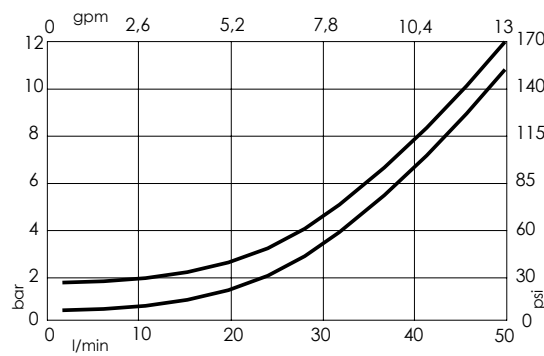
SPECIFICATIONS

| | |
|----------------------------------|---------------------------------------|
| Max. operating pressure: | 350 bar (5000 psi) |
| Rated flow: | 50 l/min (13 gpm) |
| Cavity: | VP000158 |
| Weight: | 0,04 kg (0,09 lbs) |
| Contamination class to ISO 4406: | See technical spec. |
| Installation torque: | 25 Nm (19 ft.-lb) |
| MTF _a : | 150 - 1200 years: See technical spec. |

NOTES

Bidirectional installations. Fit O-Ring to side first inserted in cavity.
For other configurations/quick codes not available in this catalogue page please consult factory

CURVES



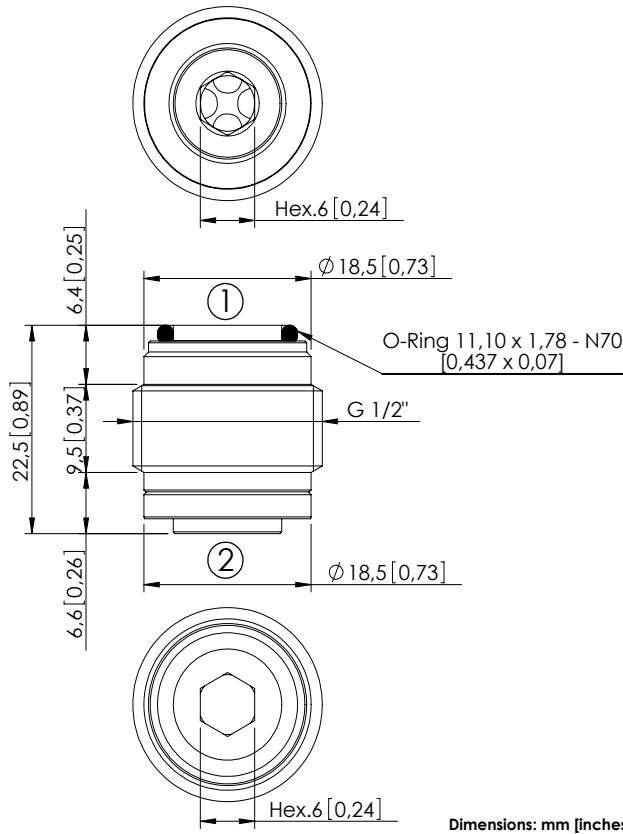
ORDERING CODES

| Quick code | Description | Cracking pressure | |
|------------|---------------------------|-------------------|--|
| CD000098 | CDVN-050-SSNS-FN-158-N002 | 1,5 bar (25 psi) | |
| CD000059 | CDVN-050-SSNS-FN-158-N000 | 0 | |
| | | | |
| | | | |
| | | | |
| | | | |

CHECK VALVE

CDVN-070-PSNS

BIDIRECTIONAL
POPPET TYPE



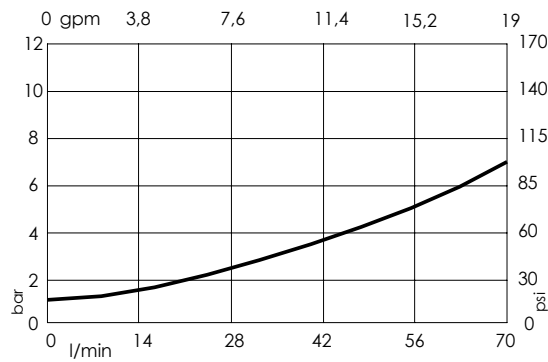
SPECIFICATIONS

| | |
|----------------------------------|---------------------------------------|
| Max. operating pressure: | 350 bar (5000 psi) |
| Rated flow: | 70 l/min (19 gpm) |
| Cavity: | VP000158 |
| Weight: | 0,04 kg (0,09 lbs) |
| Contamination class to ISO 4406: | See technical spec. |
| Installation torque: | 25 - 30 Nm (18 - 22 ft-lb) |
| MTF _a : | 150 - 1200 years: See technical spec. |

NOTES

Bidirectional installations. Fit O-Ring to side first inserted in cavity.
For other configurations/quick codes not available in this catalogue page please consult factory

CURVES



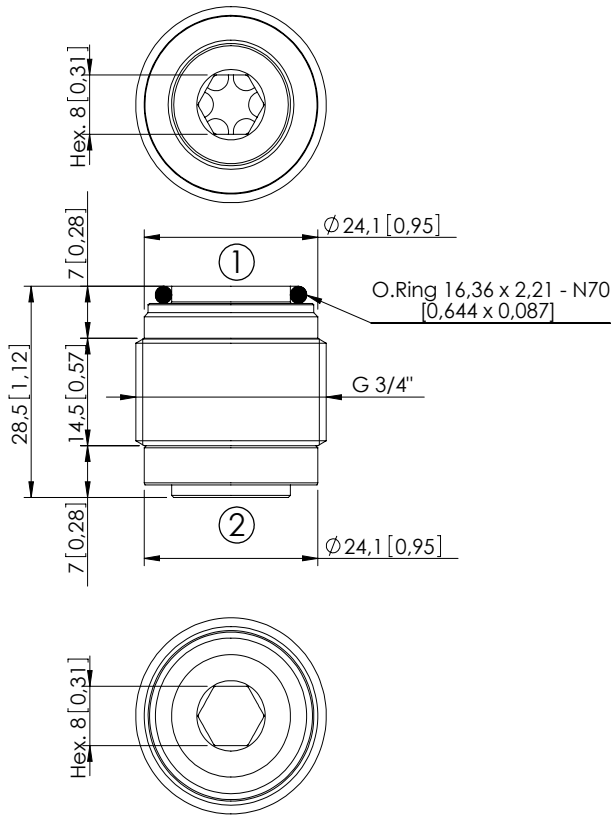
ORDERING CODES

| Quick code | Description | Cracking pressure |
|------------|---------------------------|-------------------|
| CD000107 | CDVN-070-PSNS-FN-158-N001 | 1 bar (15 psi) |
| | | |
| | | |
| | | |
| | | |
| | | |

CHECK VALVE

CDVN-120-PSNS

BIDIRECTIONAL
POPPET TYPE



SPECIFICATIONS

| | |
|----------------------------------|---------------------------------------|
| Max. operating pressure: | 350 bar (5000 psi) |
| Rated flow: | 120 l/min (32 gpm) |
| Cavity: | VP000202 |
| Weight: | 0,08 kg (0,18 lbs) |
| Contamination class to ISO 4406: | See technical spec. |
| Installation torque: | 60 - 75 Nm (44 - 55 ft-lb) |
| MTF _a : | 150 - 1200 years: See technical spec. |

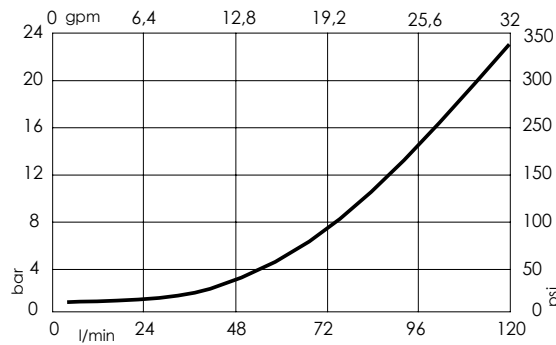
Dimensions: mm [inches]

NOTES

Bidirectional installations. Fit O-Ring to side first inserted in cavity.

For other configurations/quick codes not available in this catalogue page please consult factory

CURVES



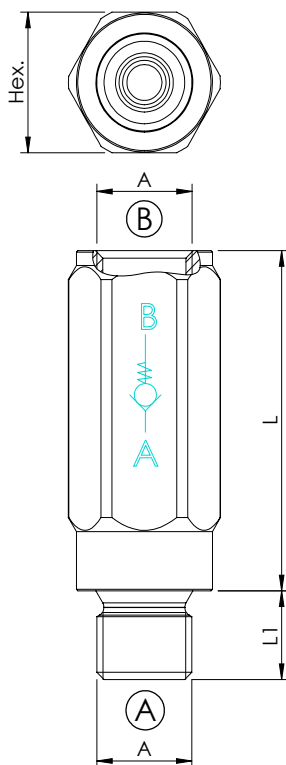
ORDERING CODES

| Quick code | Description | Cracking pressure |
|------------|---------------------------|-------------------|
| CD000106 | CDVN-120-PSNS-FN-202-N001 | 1 bar (15 psi) |
| | | |
| | | |
| | | |
| | | |

CHECK VALVE

CDVN-XXX-PSNC

SLEEVE
POPPET TYPE



SPECIFICATIONS

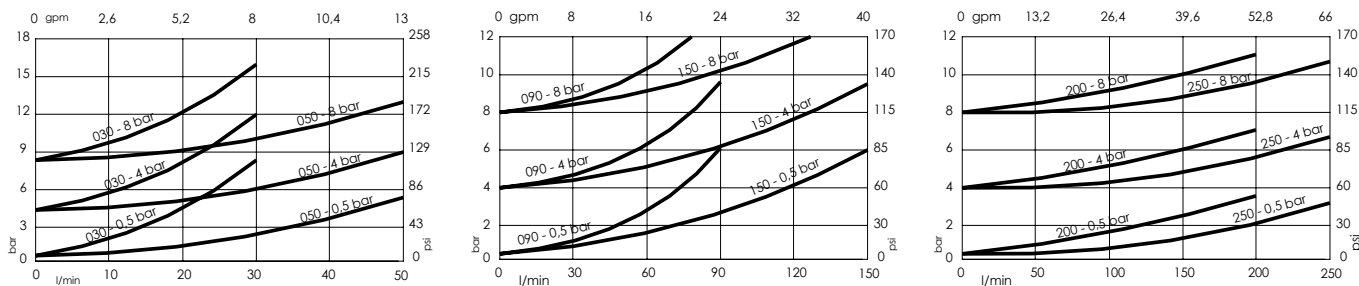
| | |
|----------------------------------|---------------------------------------|
| Max. operating pressure: | 450 bar (6500 psi) |
| Rated flow: | 30 - 250 l/min (8 - 66 gpm) |
| Body: | Zinc plated steel |
| Weight: | 0,09 - 1,47 kg (0,2 - 3,24 lbs) |
| Contamination class to ISO 4406: | See technical spec. |
| MTF _a : | 150 - 1200 years: See technical spec. |

NOTES:

For other configurations/quick codes not available in this catalogue page please consult factory

Dimensions: mm [inches]

CURVES



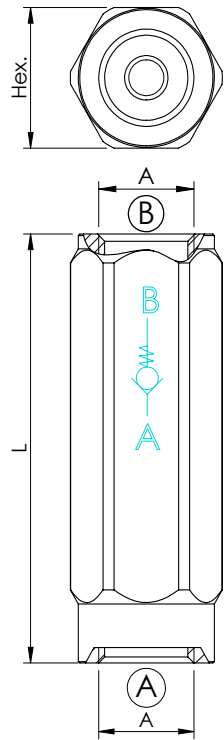
ORDERING CODES

| Quick code | Description | Rated flow | Cracking pressure | Dimension | | | |
|------------|---------------------------|--------------------|-------------------|-----------|------------|-----------|-----------|
| | | | | A | L | L1 | HEX |
| CD000425 | CDVN-030-PSNC-MF-G14-N008 | 30 l/min (8 gpm) | 8 bar (100 psi) | G 1/4" | 46 [1,81] | 12 [0,47] | 19 [0,75] |
| CD000424 | CDVN-030-PSNC-MF-G14-N004 | 30 l/min (8 gpm) | 4 bar (50 psi) | G 1/4" | 46 [1,81] | 12 [0,47] | 19 [0,75] |
| CD000423 | CDVN-030-PSNC-MF-G14-N000 | 30 l/min (8 gpm) | 0,5 bar (5 psi) | G 1/4" | 46 [1,81] | 12 [0,47] | 19 [0,75] |
| CD000428 | CDVN-050-PSNC-MF-G38-N008 | 50 l/min (13 gpm) | 8 bar (100 psi) | G 3/8" | 50 [1,97] | 12 [0,47] | 24 [0,95] |
| CD000427 | CDVN-050-PSNC-MF-G38-N004 | 50 l/min (13 gpm) | 4 bar (50 psi) | G 3/8" | 50 [1,97] | 12 [0,47] | 24 [0,95] |
| CD000426 | CDVN-050-PSNC-MF-G38-N000 | 50 l/min (13 gpm) | 0,5 bar (5 psi) | G 3/8" | 50 [1,97] | 12 [0,47] | 24 [0,95] |
| CD000480 | CDVN-090-PSNC-MF-G12-N010 | 90 l/min (24 gpm) | 10 bar (145 psi) | G 1/2" | 58 [2,28] | 14 [0,55] | 30 [1,18] |
| CD000136 | CDVN-090-PSNC-MF-G12-N008 | 90 l/min (24 gpm) | 8 bar (100 psi) | G 1/2" | 58 [2,28] | 14 [0,55] | 30 [1,18] |
| CD000291 | CDVN-090-PSNC-MF-G12-N004 | 90 l/min (24 gpm) | 4 bar (50 psi) | G 1/2" | 58 [2,28] | 14 [0,55] | 30 [1,18] |
| CD000142 | CDVN-090-PSNC-MF-G12-N000 | 90 l/min (24 gpm) | 0,5 bar (5 psi) | G 1/2" | 58 [2,28] | 14 [0,55] | 30 [1,18] |
| CD000139 | CDVN-150-PSNC-MF-G34-N008 | 150 l/min (40 gpm) | 8 bar (100 psi) | G 3/4" | 68 [2,68] | 16 [0,63] | 36 [1,42] |
| CD000292 | CDVN-150-PSNC-MF-G34-N004 | 150 l/min (40 gpm) | 4 bar (50 psi) | G 3/4" | 68 [2,68] | 16 [0,63] | 36 [1,42] |
| CD000143 | CDVN-150-PSNC-MF-G34-N000 | 150 l/min (40 gpm) | 0,5 bar (5 psi) | G 3/4" | 68 [2,68] | 16 [0,63] | 36 [1,42] |
| CD000140 | CDVN-200-PSNC-MF-G10-N008 | 200 l/min (53 gpm) | 8 bar (100 psi) | G 1" | 87 [3,43] | 18 [0,71] | 46 [1,81] |
| CD000293 | CDVN-200-PSNC-MF-G10-N004 | 200 l/min (53 gpm) | 4 bar (50 psi) | G 1" | 87 [3,43] | 18 [0,71] | 46 [1,81] |
| CD000144 | CDVN-200-PSNC-MF-G10-N000 | 200 l/min (53 gpm) | 0,5 bar (5 psi) | G 1" | 87 [3,43] | 18 [0,71] | 46 [1,81] |
| CD000141 | CDVN-250-PSNC-MF-G11-N008 | 250 l/min (66 gpm) | 8 bar (100 psi) | G 1" 1/4 | 107 [4,21] | 20 [0,79] | 55 [2,17] |
| CD000294 | CDVN-250-PSNC-MF-G11-N004 | 250 l/min (66 gpm) | 4 bar (50 psi) | G 1" 1/4 | 107 [4,21] | 20 [0,79] | 55 [2,17] |
| CD000145 | CDVN-250-PSNC-MF-G11-N000 | 250 l/min (66 gpm) | 0,5 bar (5 psi) | G 1" 1/4 | 107 [4,21] | 20 [0,79] | 55 [2,17] |

CHECK VALVE

CDVN-XXX-PSNC

SLEEVE
POPPET TYPE



SPECIFICATIONS

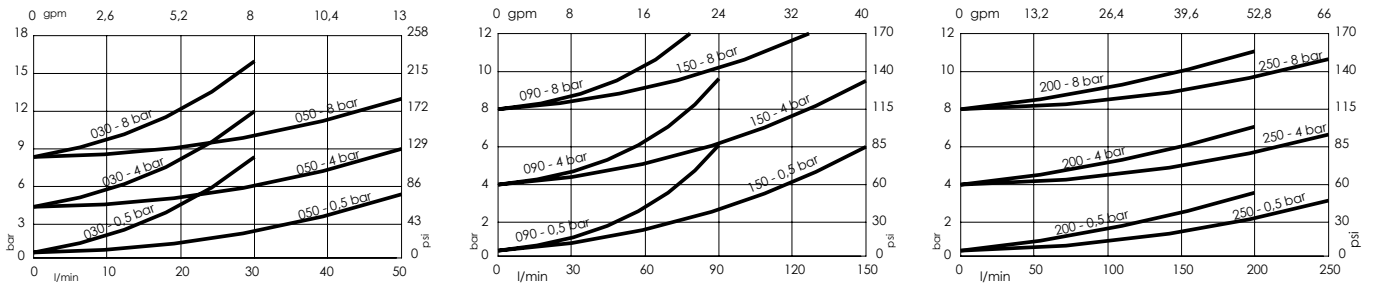
| | |
|----------------------------------|---------------------------------------|
| Max. operating pressure: | 450 bar (6500 psi) |
| Rated flow: | 30 - 250 l/min (8 - 66 gpm) |
| Body: | Zinc plated steel |
| Weight: | 0,1 - 1,59 kg (0,22 - 3,51 lbs) |
| Contamination class to ISO 4406: | See technical spec. |
| MTF _a : | 150 - 1200 years: See technical spec. |

NOTES:

For other configurations/quick codes not available in this catalogue page please consult factory

Dimensions: mm [inches]

CURVES



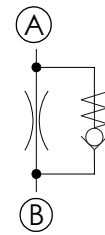
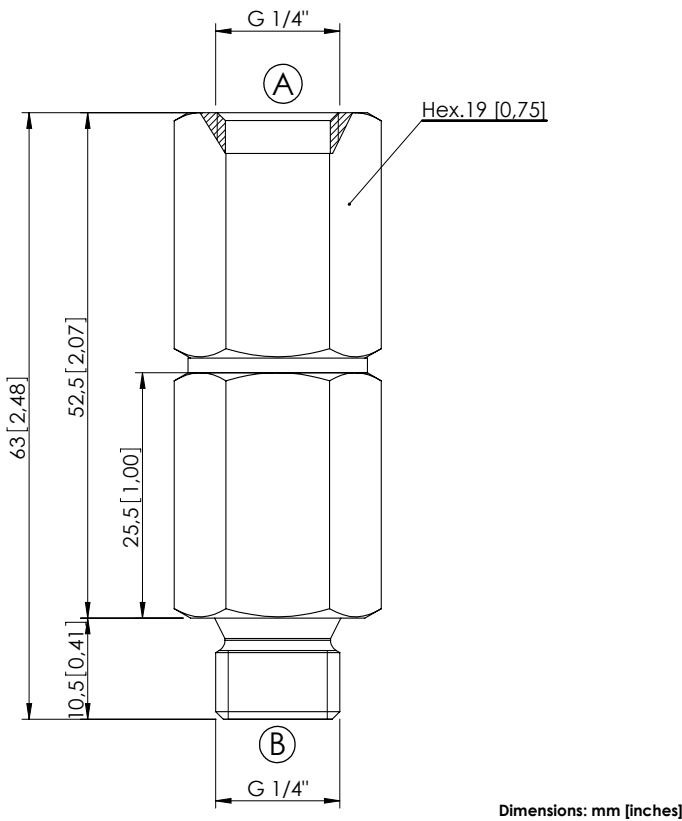
ORDERING CODES

| Quick code | Description | Rated flow | Cracking pressure | Dimension | | |
|------------|---------------------------|--------------------|-------------------|-----------|------------|-----------|
| | | | | A | L | HEX |
| CD000324 | CDVN-030-PSNC-FF-G14-N008 | 30 l/min (8 gpm) | 8 bar (100 psi) | G 1/4" | 58 [2,28] | 19 [0,75] |
| CD000312 | CDVN-030-PSNC-FF-G14-N004 | 30 l/min (8 gpm) | 4 bar (50 psi) | G 1/4" | 58 [2,28] | 19 [0,75] |
| CD000317 | CDVN-030-PSNC-FF-G14-N000 | 30 l/min (8 gpm) | 0,5 bar (5 psi) | G 1/4" | 58 [2,28] | 19 [0,75] |
| CD000323 | CDVN-050-PSNC-FF-G38-N008 | 50 l/min (13 gpm) | 8 bar (100 psi) | G 3/8" | 66 [2,6] | 24 [0,95] |
| CD000318 | CDVN-050-PSNC-FF-G38-N004 | 50 l/min (13 gpm) | 4 bar (50 psi) | G 3/8" | 66 [2,6] | 24 [0,95] |
| CD000212 | CDVN-050-PSNC-FF-G38-N000 | 50 l/min (13 gpm) | 0,5 bar (5 psi) | G 3/8" | 66 [2,6] | 24 [0,95] |
| CD000277 | CDVN-090-PSNC-FF-G12-N008 | 90 l/min (24 gpm) | 8 bar (100 psi) | G 1/2" | 75 [2,95] | 30 [1,18] |
| CD000287 | CDVN-090-PSNC-FF-G12-N004 | 90 l/min (24 gpm) | 4 bar (50 psi) | G 1/2" | 75 [2,95] | 30 [1,18] |
| CD000281 | CDVN-090-PSNC-FF-G12-N000 | 90 l/min (24 gpm) | 0,5 bar (5 psi) | G 1/2" | 75 [2,95] | 30 [1,18] |
| CD000278 | CDVN-150-PSNC-FF-G34-N008 | 150 l/min (40 gpm) | 8 bar (100 psi) | G 3/4" | 90 [3,54] | 36 [1,42] |
| CD000421 | CDVN-150-PSNC-FF-G34-N006 | 150 l/min (40 gpm) | 6 bar (75 psi) | G 3/4" | 90 [3,54] | 36 [1,42] |
| CD000288 | CDVN-150-PSNC-FF-G34-N004 | 150 l/min (40 gpm) | 4 bar (50 psi) | G 3/4" | 90 [3,54] | 36 [1,42] |
| CD000610 | CDVN-150-PSNC-FF-G34-N001 | 150 l/min (40 gpm) | 1 bar (15 psi) | G 3/4" | 90 [3,54] | 36 [1,42] |
| CD000282 | CDVN-150-PSNC-FF-G34-N000 | 150 l/min (40 gpm) | 0,5 bar (5 psi) | G 3/4" | 90 [3,54] | 36 [1,42] |
| CD000279 | CDVN-200-PSNC-FF-G10-N008 | 200 l/min (53 gpm) | 8 bar (100 psi) | G 1" | 112 [4,41] | 46 [1,81] |
| CD000289 | CDVN-200-PSNC-FF-G10-N004 | 200 l/min (53 gpm) | 4 bar (50 psi) | G 1" | 112 [4,41] | 46 [1,81] |
| CD000476 | CDVN-200-PSNC-FF-G10-N003 | 200 l/min (53 gpm) | 3 bar (44 psi) | G 1" | 112 [4,41] | 46 [1,81] |
| CD000609 | CDVN-200-PSNC-FF-G10-N002 | 200 l/min (53 gpm) | 2 bar (29 psi) | G 1" | 112 [4,41] | 46 [1,81] |
| CD000608 | CDVN-200-PSNC-FF-G10-N001 | 200 l/min (53 gpm) | 1 bar (15 psi) | G 1" | 112 [4,41] | 46 [1,81] |
| CD000283 | CDVN-200-PSNC-FF-G10-N000 | 200 l/min (53 gpm) | 0,5 bar (5 psi) | G 1" | 112 [4,41] | 46 [1,81] |
| CD000280 | CDVN-250-PSNC-FF-G11-N008 | 250 l/min (66 gpm) | 8 bar (100 psi) | G 1" 1/4 | 132 [5,2] | 55 [2,17] |
| CD000290 | CDVN-250-PSNC-FF-G11-N004 | 250 l/min (66 gpm) | 4 bar (50 psi) | G 1" 1/4 | 132 [5,2] | 55 [2,17] |
| CD000284 | CDVN-250-PSNC-FF-G11-N000 | 250 l/min (66 gpm) | 0,5 bar (5 psi) | G 1" 1/4 | 132 [5,2] | 55 [2,17] |

FLOW RESTRICTOR

CDFN-010-PSNC

MONO DIRECTIONAL
NOT COMPENSATED



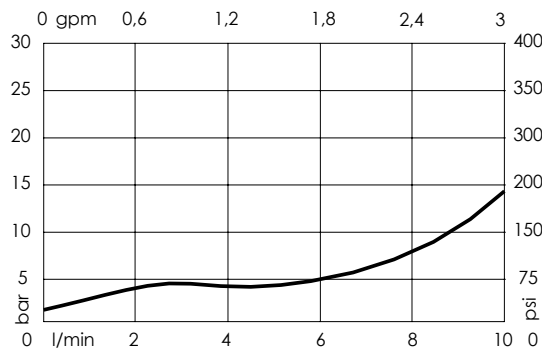
SPECIFICATIONS

| | |
|----------------------------------|---------------------------------------|
| Max. operating pressure: | 350 bar (5000 psi) |
| Rated flow (A to B): | 10 l/min (3 gpm) |
| Material: | Steel |
| Weight: | 0,11 kg (0,24 lbs) |
| Contamination class to ISO 4406: | See technical spec. |
| MTF _d : | 150 - 1200 years: See technical spec. |

NOTES

For other configurations/quick codes not available in this catalogue page please consult factory

CURVES



| Quick code | Description | Cracking Pressure | Ports | Ø Hole |
|------------|---------------------------|-------------------|-------------|-------------------------------------|
| CD000084 | CDFN-010-PSNC-05-G14-N350 | 5 bar (75 psi) | A,B: G 1/4" | 0,5 mm (0,019 inch) |
| CD000085 | CDFN-010-PSNC-06-G14-N350 | 5 bar (75 psi) | A,B: G 1/4" | 0,6 [0,023] |
| CD000086 | CDFN-010-PSNC-07-G14-N350 | 5 bar (75 psi) | A,B: G 1/4" | 0,7 [0,027] |
| CD000087 | CDFN-010-PSNC-08-G14-N350 | 5 bar (75 psi) | A,B: G 1/4" | 0,8 [0,031] |
| CD000089 | CDFN-010-PSNC-10-G14-N350 | 5 bar (75 psi) | A,B: G 1/4" | 1 [0,039] |
| CD000091 | CDFN-010-PSNC-13-G14-N350 | 5 bar (75 psi) | A,B: G 1/4" | 1,3 [0,051] |
| CD000167 | CDFN-010-PSNC-03-G14-N350 | 5 bar (75 psi) | A,B: G 1/4" | 0,5 & wire 0,4 [0,019 & wire 0,016] |
| CD000168 | CDFN-010-PSNC-04-G14-N350 | 5 bar (75 psi) | A,B: G 1/4" | 0,6 & wire 0,4 [0,023 & wire 0,016] |

Revision A1