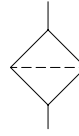
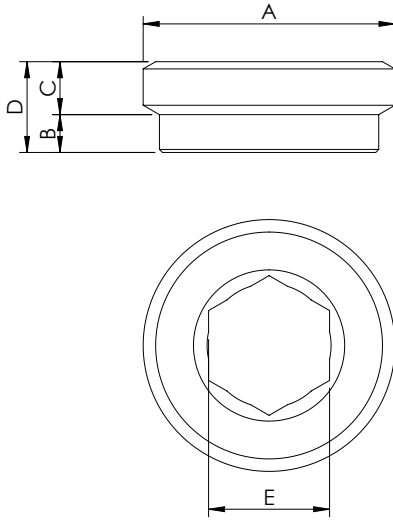


FILTER

SCREW IN FILTER



SPECIFICATIONS

Max. operating Δp :	35 bar (500 psi)
Rated flow:	See table
Weight:	8 g (0,02 lbs)
Cavity:	See table
Contamination class to ISO 4406:	See technical spec.
MTF _d :	150 years

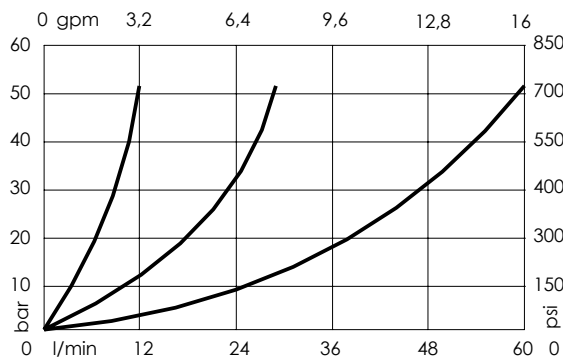
Dimensions: mm [inches]

APPLICATION LIMITATIONS

Not suitable for use with:

- fast acting valve
- cold oil
- high viscosity oil
- other conditions creating pressure drop greater than 35 bar (500 psi)
- max. operating pressure is 350 bar (5000 psi)

CURVES



ORDERING CODES

Quick code	Description	Max. flow	Filtration	A	B	C	D	E	Installation torque
CT000002	Filter G 3/8"	50 l/min (13 gpm)	300 micron (0,0118 in)	G 3/8"	2,5 [0,10]	3,5 [0,14]	6 [0,24]	8 [0,31]	10 Nm (7 ft-lb)
CT000003	Filter G 1/4"	25 l/min (7 gpm)	300 micron (0,0118 in)	G 1/4"	2 [0,08]	3 [0,12]	5 [0,20]	6 [0,24]	5 Nm (4 ft-lb)
CT000004	Filter G 1/8"	10 l/min (3 gpm)	300 micron (0,0118 in)	G 1/8"	1,6 [0,06]	2,2 [0,09]	3,8 [0,15]	5 [0,20]	3 Nm (2 ft-lb)