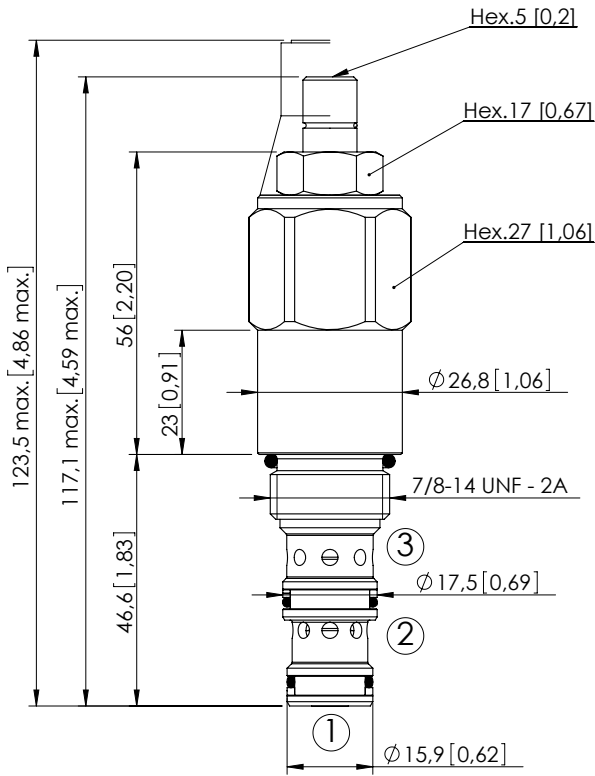
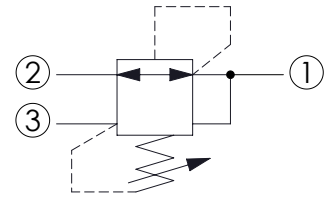


CPRL-030-DNSR

DIRECT ACTING
SPOOL TYPE
WITH DAMPING



Dimensions: mm [inches]



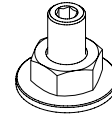
SPECIFICATIONS

Max. operating pressure:	350 bar (5000 psi)
Rated flow:	30 l/min (8 gpm)
Cavity:	SAE-10-3N
Weight:	0.29 kg (0.64 lbs)
Contamination class to ISO 4406:	See technical spec.
Seal kit:	RA700092
Installation torque:	55 - 62 Nm (41 - 46 ft-lb)
MTF _d :	150 - 1200 years: See technical spec.
Leakage:	50 cm ³ /min @ 50 bar 3.05 in ³ /min @ 700 psi

NOTES

For other configurations/quick codes not available in this catalogue page please consult factory

OPTIONS



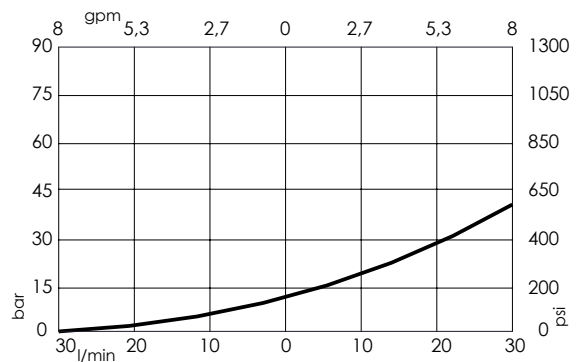
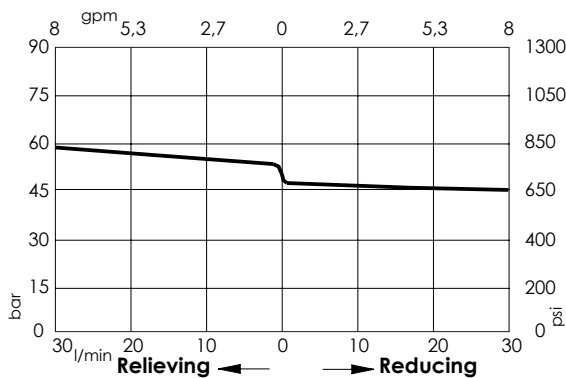
Adjustment with Screw

SEALING CAP



Ordering code: AT000021

CURVES



ORDERING CODES

Quick code	Description	Standard setting	Adjustment range	Pressure increase	Options
CR000038	CPRL-030-DNSR-HN-S10-N080	50 bar (700 psi)	20-75 bar (300-1100 psi)	11 bar/turn (150 psi/turn)	Adjustment with Screw
CR000056	CPRL-030-DNSR-HN-S10-N040	20 bar (300 psi)	10-35 bar (150-500 psi)	5,3 bar/turn (75 psi/turn)	Adjustment with Screw