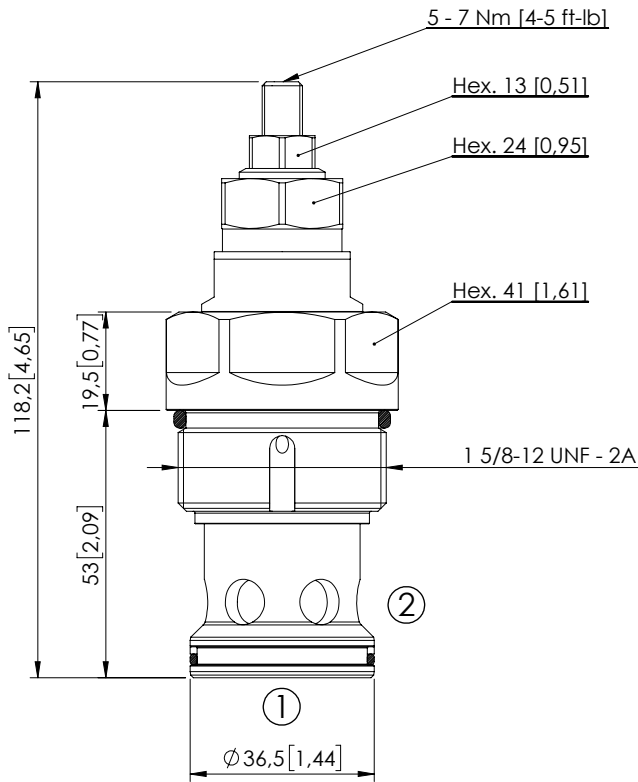


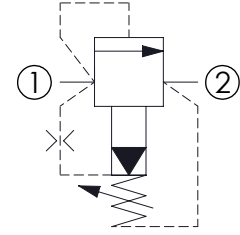
RELIEF VALVE

# CPLN-500-PHNA

PILOTED OPERATED  
SPOOL TYPE



Dimensions: mm [inches]



## SPECIFICATIONS

Max. operating pressure:	350 bar (5000 psi)
Rated flow:	500 l/min (132 gpm)
Cavity:	SAE-20-2N
Weight:	0,7 kg (1,54 lbs)
Contamination class to ISO 4406:	See technical spec.
Seal kit:	RA900085
Installation torque:	230 - 250 Nm (170 - 184 ft-lb)
MTTF <sub>d</sub> :	150 - 1200 years: See technical spec.
Max. int. leakage:	400 cm <sup>3</sup> /min (@46 cSt) 24,4 in <sup>3</sup> /min (@46 cSt)

## NOTES

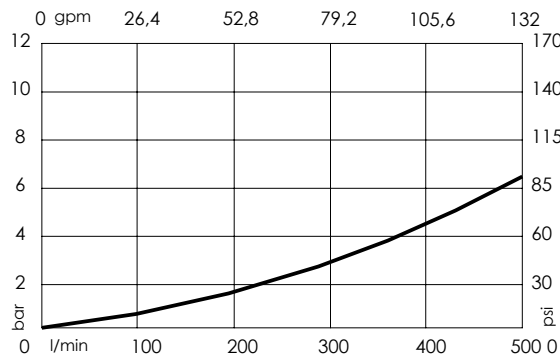
For other configurations/quick codes not available in this catalogue page please consult factory

## SEALING CAP



Ordering code:  
AT000020

## CURVES



## ORDERING CODES

Quick code	Description	Standard setting (cracking pressure)	Adjustment range	Pressure increase
CP000407	CPLN-500-PHNA-SN-S20-N350	350 bar (5000 psi)	140-350 bar (2000-5000 psi)	142 bar/turn (2000 psi/turn)
CP000408	CPLN-500-PHNA-SN-S20-N200	200 bar (2900 psi)	90-210 bar (1300-3000 psi)	87 bar/turn (1200 psi/turn)
CP000409	CPLN-500-PHNA-SN-S20-N100	100 bar (1400 psi)	35-110 bar (500-1600 psi)	47 bar/turn (650 psi/turn)