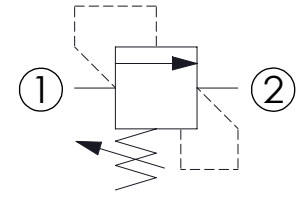
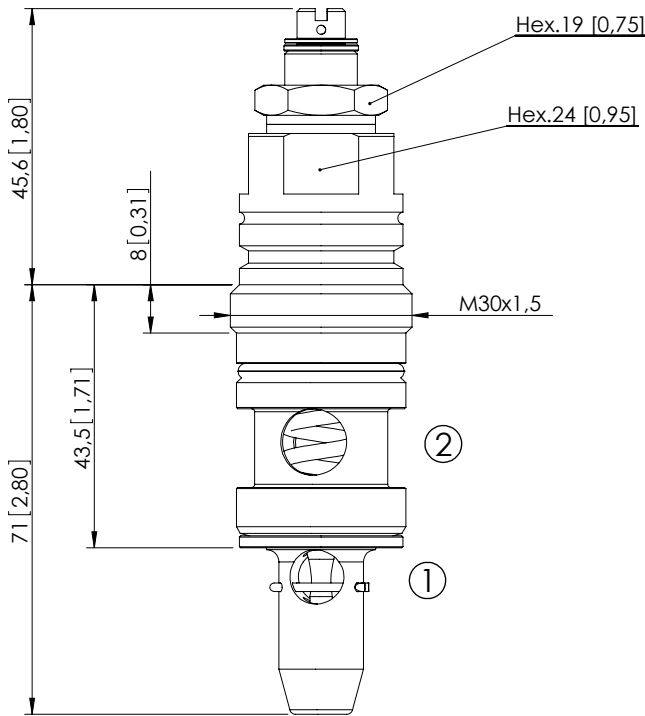


RELIEF VALVE

CPLN-120-DPNA

DIRECT ACTING
POPPET TYPE



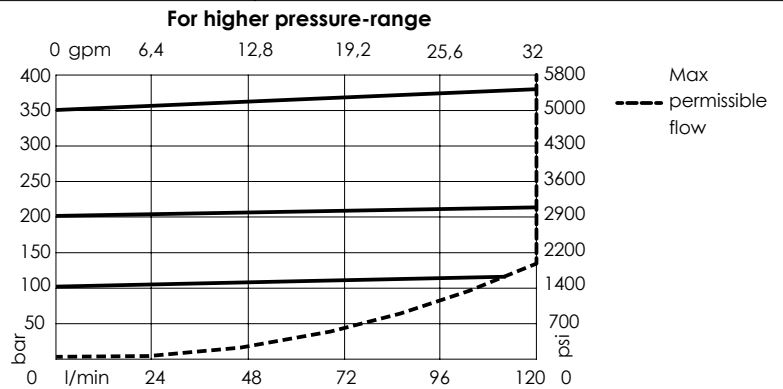
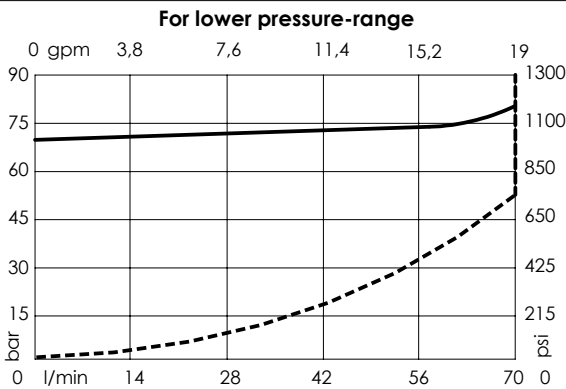
SPECIFICATIONS

Max. operating pressure in line 2:	70 bar (1000 psi)
Max. operating pressure in line 1:	350 bar (5000 psi)
Rated flow:	120 l/min (32 gpm)
Cavity:	VP000388
Weight:	250,8 g (0,55 lbs)
Contamination class to ISO 4406:	See technical spec.
Seal kit:	RC100388
Installation torque:	110 - 120 Nm (73 - 89 ft-lb)
MTF _a :	150 years

Dimensions: mm [inches]

NOTES

CURVES



ORDERING CODES

Quick code	Description	Adjustment range
CP000276	CPLN-120-DPNA-HN-388-N70	7 - 67 bar (100-950 psi)
CP000434	CPLN-120-DPNA-HN-388-N100	40 - 100 bar (600-1400 psi)
CP000462	CPLN-120-DPNA-HN-388-N200	40 - 200 bar (600-2900 psi)
CP000463	CPLN-120-DPNA-HN-388-N350	50 - 350 bar (700-5000 psi)