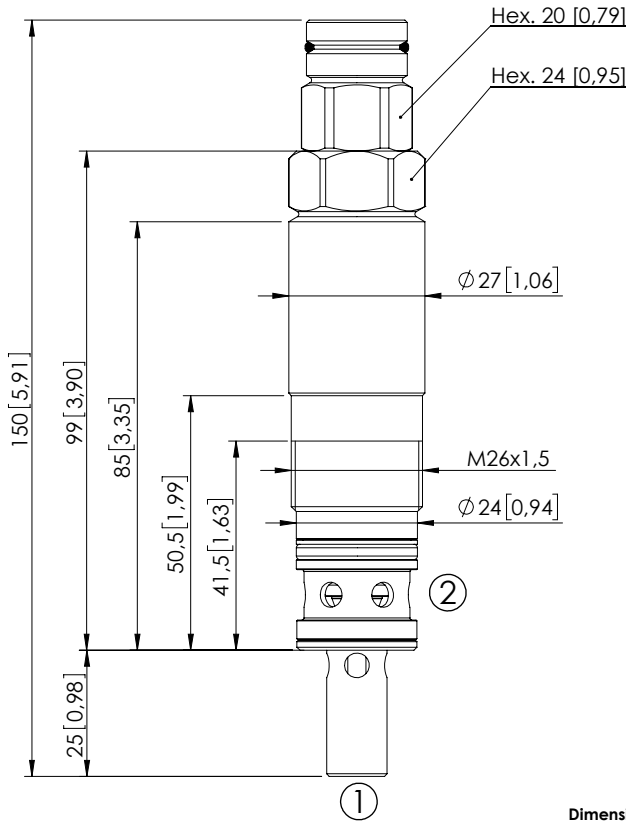
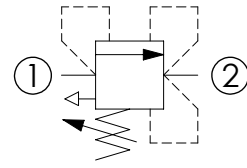


CPLT-080-DHNA

DIRECT ACTING
STABILIZED PISTON
COMPENSATED



Dimensions: mm [inches]

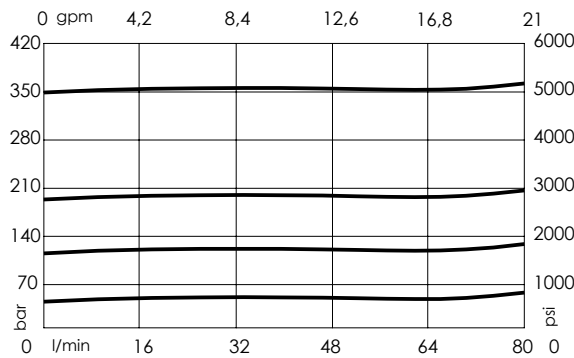


SPECIFICATIONS

Max. operating pressure:	350 bar (5000 psi)
Rated flow:	80 l/min (21 gpm)
Cavity:	VP000086
Weight:	0,41 kg (0,9 lbs)
Contamination class to ISO 4406:	See technical spec.
Seal kit:	RC700086
Installation torque:	80 - 95 Nm (59 - 70 ft-lb)
MTF _d :	150 years

NOTES

CURVES



ORDERING CODES

Quick code	Description	Standard setting (cracking pressure)	Adjustment range	Pressure increase
CP000181	CPLT-080-DHNA-HN-086-N420	350 bar (5000 psi)	150-420 bar (2100-6000 psi)	53 bar/turn (750 psi/turn)
CP000130	CPLT-080-DHNA-HN-086-N350	350 bar (5000 psi)	100-350 bar (1400-5000 psi)	42 bar/turn (600 psi/turn)
CP000142	CPLT-080-DHNA-HN-086-N200	200 bar (2900 psi)	60-210 bar (600-3000 psi)	24 bar/turn (350 psi/turn)
CP000143	CPLT-080-DHNA-HN-086-N100	100 bar (1400 psi)	25-100 bar (400-1400 psi)	13 bar/turn (200 psi/turn)
CP000144	CPLT-080-DHNA-HN-086-N050	50 bar (700 psi)	5-50 bar (100-700 psi)	9 bar/turn (125 psi/turn)