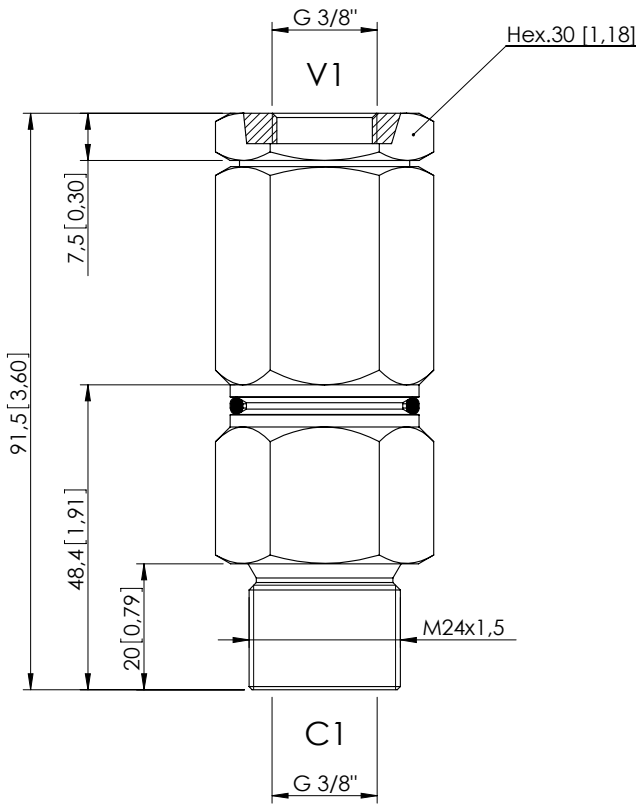
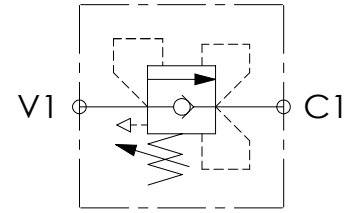


CPST-060-DHLD

DIFFERENTIAL AREA COMPENSATED



Dimensions: mm [inches]

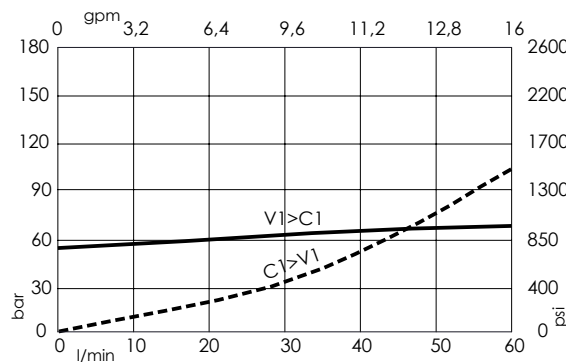


SPECIFICATIONS

Max. operating pressure:	350 bar (5000 psi)
Rated flow:	60 l/min (16 gpm)
Body:	Steel
Weight:	0,39 kg (0,86 lbs)
Contamination class to ISO 4406:	See technical spec.
MTFa:	150 years

NOTES

CURVES



ORDERING CODES

Quick code	Description	Main ports size	Standard setting Q=5 l/min (1,3 gpm)	Adjustment range	Pressure increase
CP00091	CPST-060-DHLD-GN-G38-N100	V1,C1 : $G\ 3/8"$	100 bar (1400 psi)	50-140 bar (700-2000 psi)	26 bar/turn (400 psi/turn)
CP000435	CPST-060-DHLD-GN-G38-N120	V1,C1 : $G\ 3/8"$	120 bar (1700 psi)	50-140 bar (700-2000 psi)	26 bar/turn (400 psi/turn)