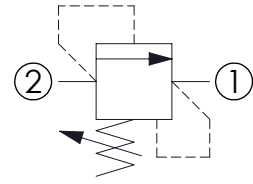
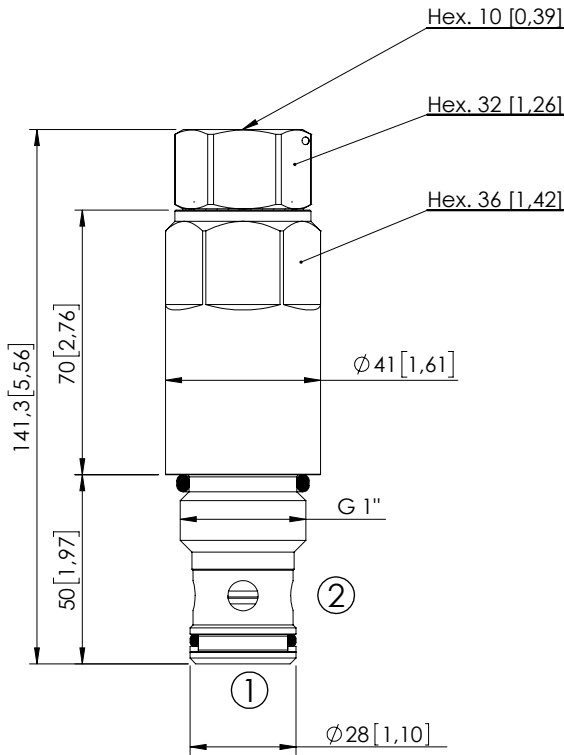


RELIEF VALVE

# CPLN-250-DHGD

DIFFERENTIAL AREA  
POPPET TYPE



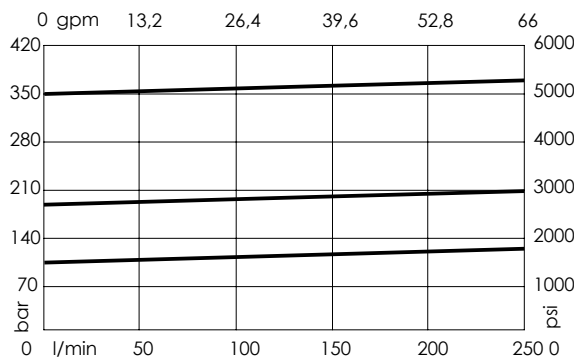
## SPECIFICATIONS

Max. operating pressure:	350 bar (5000 psi)
Rated flow:	250 l/min (66 gpm)
Cavity:	VP000154
Weight:	0,9 kg (1,98 lbs)
Contamination class to ISO 4406:	See technical spec.
Seal kit:	RC900154
Installation torque:	230 - 250 Nm (170 - 184 ft-lb)
MTF <sub>d</sub> :	150 years

Dimensions: mm [inches]

## NOTES

## CURVES



## ORDERING CODES

Quick code	Description	Standard setting (cracking pressure)	Adjustment range	Pressure increase
CP000046	CPLN-250-DHGD-HN-154-N350	350 bar (5000 psi)	120-350 bar (1700-5000 psi)	67 bar/turn (900 psi/turn)
CP000119	CPLN-250-DHGD-HN-154-N200	200 bar (2900 psi)	50-200 bar (700-2900 psi)	36 bar/turn (550 psi/turn)
CP000224	CPLN-250-DHGD-HN-154-N100	100 bar (1400 psi)	20-100 bar (300-1400 psi)	19 bar/turn (250 psi/turn)