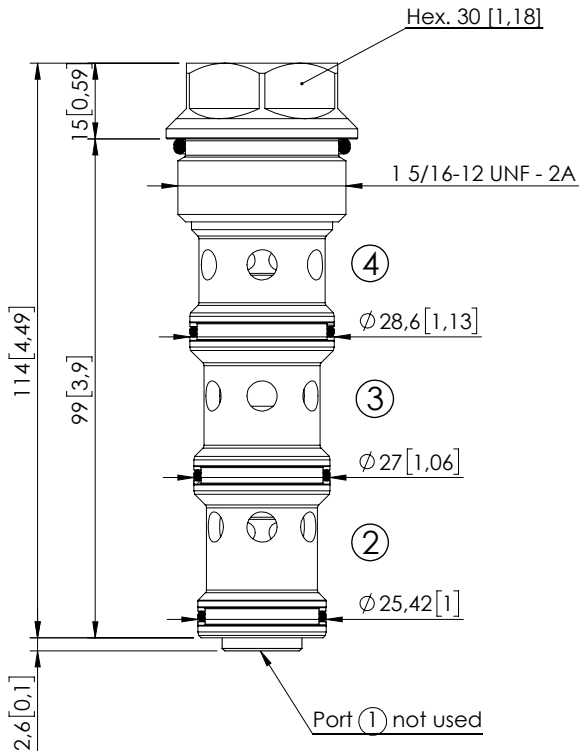
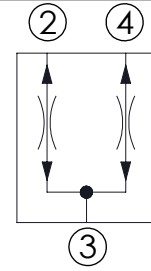


CFDT-160-BFRR



Dimensions: mm [inches]



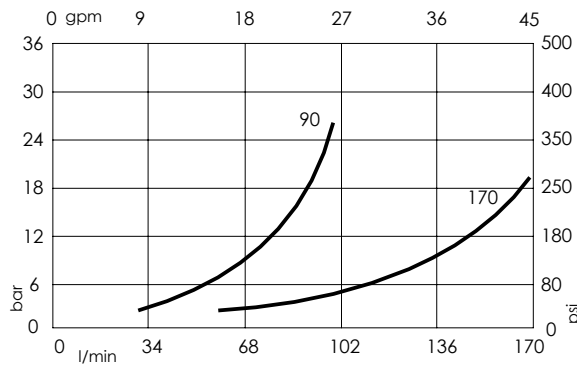
SPECIFICATIONS

Max. operating pressure:	350 bar (5000 psi)
Division or combination:	50 %- 50 %
Cavity:	SAE-16-4N
Weight:	0,36 kg (0,79 lbs)
Seal kit:	RB700104
Installation torque:	118 - 132 Nm (87 - 97 ft-lb)
Contamination class to ISO 4406:	See technical spec.
MTTF _d :	150 years

NOTES

Flow divider accuracy: $\pm 7/8\%$ between 40-100% of max. input flow.
 Other dividing ratios available.
 For other configurations/quick codes not available in this catalogue page please consult factory

CURVES



ORDERING CODES

Quick code	Description	Inlet range flow
CF000364	CFDT-160-BFRR-90-S16-N350	30-90 l/min (8-24 gpm)
CF000370	CFDT-160-BFRR-170-S16-N350	50-170 l/min (13-45 gpm)