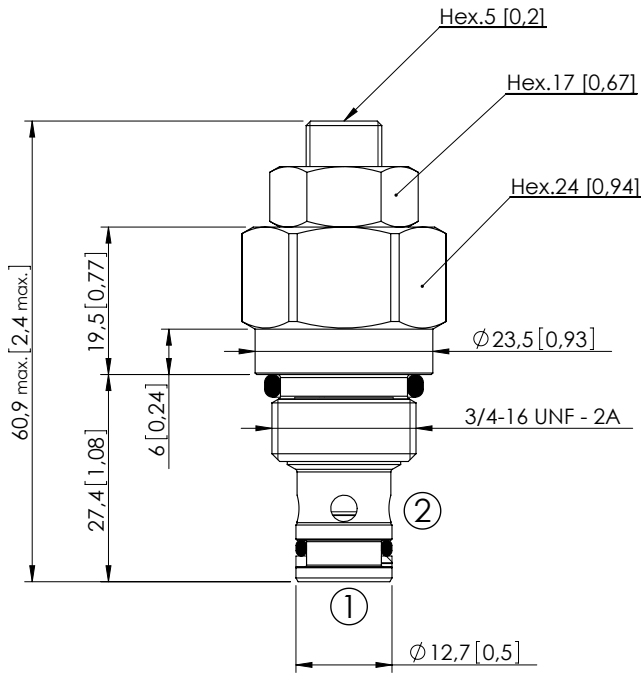


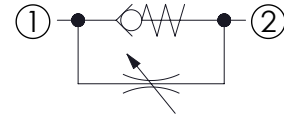
FLOW RESTRICTOR

CFSN-040-MHRR

NEEDLE RESTRICTOR
FREE REVERSE FLOW



Dimensions: mm [inches]



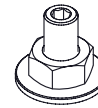
SPECIFICATIONS

| | |
|----------------------------------|---------------------------------------|
| Max. operating pressure: | 350 bar (5000 psi) |
| Rated flow: | 40 l/min (11 gpm) |
| Cavity: | SAE-08-2N |
| Weight: | 0,12 kg 0,26 lbs) |
| Seal kit: | RA700081 |
| Installation torque: | 45 - 50 Nm (33 - 37 ft-lb) |
| Contamination class to ISO 4406: | See technical spec. |
| MTF _a : | 150 - 1200 years: See technical spec. |

NOTES

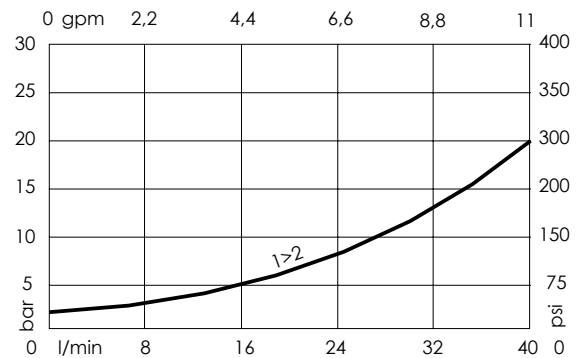
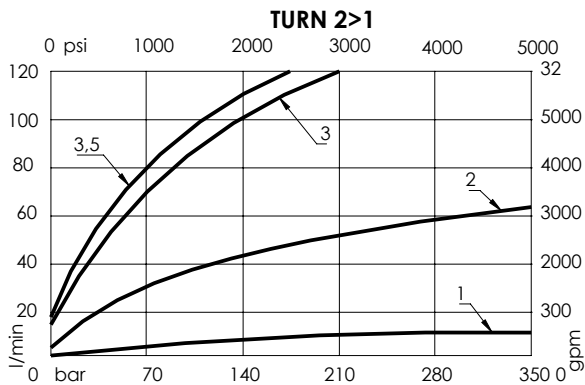
For other configurations/quick codes not available in this catalogue page please consult factory

OPTIONS



Screw and locknut

CURVES



ORDERING CODES

| Quick code | Description | Options |
|------------|---------------------------|-------------------|
| CF000167 | CFSN-040-MHRR-NP-S08-N350 | Screw and locknut |
| | | |
| | | |
| | | |
| | | |
| | | |