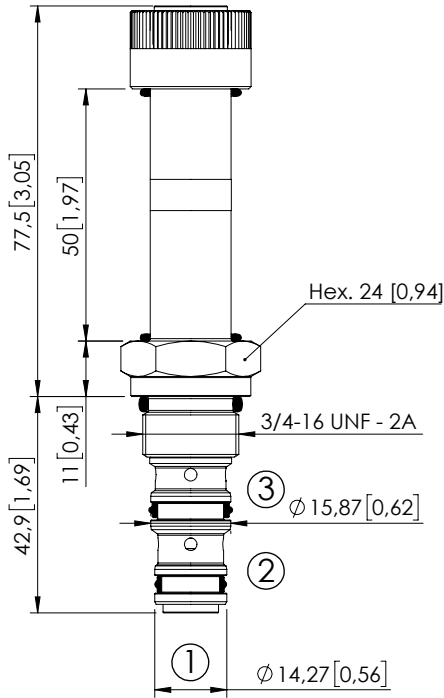


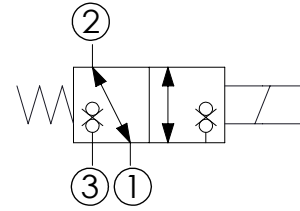
SOLENOID OPERATED CARTRIDGE

**CECD-020-SEFN-66**

DIRECT OPERATED  
POPPET TYPE



Dimensions: mm [inches]



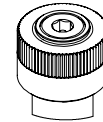
**SPECIFICATIONS**

Max. operating pressure:	350 bar (5000 psi)
Rated flow:	20 l/min (5 gpm)
Cavity:	SAE-08-3N
Weight:	0,25 kg (0,55 lbs)
Min. voltage required:	90% of nominal
Coil type:	M16 type
Ambient temperature:	-20/+50 °C (-4/+122 °F)
Contamination class to ISO 4406:	See technical spec.
Seal kit:	RB600091
Installation torque:	45 - 50 Nm (33,2 - 36,9 ft-lb)
MTF <sub>d</sub> :	150 - 1200 years: See technical spec.
Leakage:	0,15 cm <sup>3</sup> /min (@46 cSt) 0,009 in <sup>3</sup> /min (@46 cSt)

**NOTES**

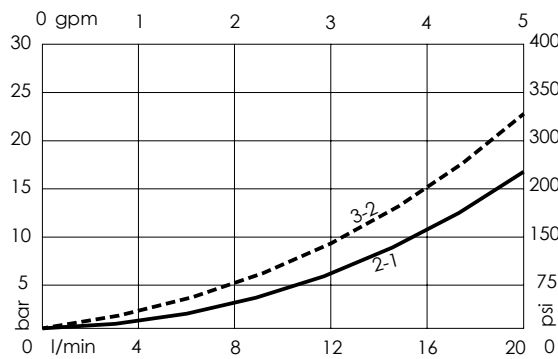
For other configurations/quick codes not available in this catalogue page please consult factory

**OPTIONS**



Push style  
Manual Override

**CURVES**



**ORDERING CODES**

Quick code	Description	Options
CE001191	CECD-020-SEFN-66-S08-N350	Push style Manual Override