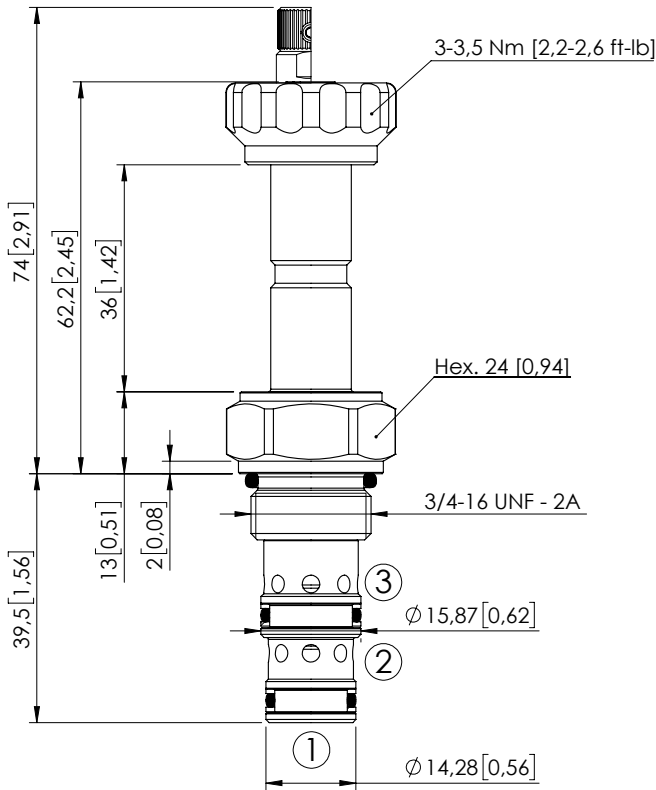


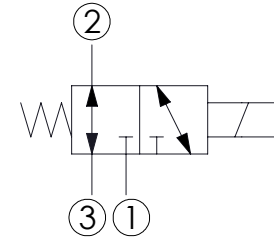
SOLENOID OPERATED CARTRIDGE

CECS-007-SEFN-61

DIRECT ACTING
SPOOL TYPE



Dimensions: mm [inches]



SPECIFICATIONS

Max. operating pressure:	210 bar (3000 psi)
Rated flow:	7 l/min (1,8 gpm)
Cavity:	SAE 08 3N
Weight:	0,14 kg (0,31 lbs)
Min. voltage required:	90% of nominal
Coil type:	M7 or M3 type
Ambient temperature:	-20/+50 °C (-4/+122 °F)
Contamination class to ISO 4406:	See technical spec.
Seal kit:	RB900091
Installation torque:	45 - 50 Nm (33 - 37 ft-lb)
MTF _d :	150 years
Leakage:	20 cm ³ /min (@46 cSt) 1,2 in ³ /min (@46 cSt)

NOTES

For other configurations/quick codes not available in this catalogue page please consult factory

OPTIONS

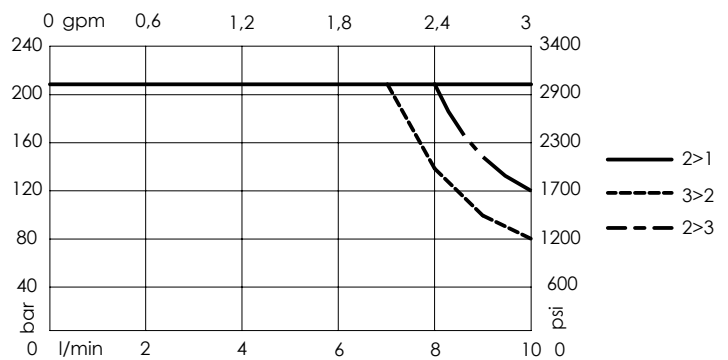
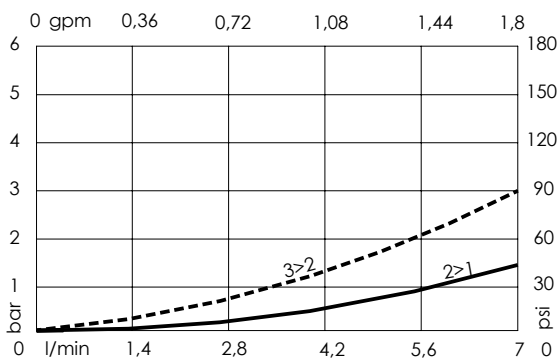
Standard



Knob style
override



CURVES



ORDERING CODES

Quick code	Description	Options
CE001166	CECS-007-SEFN-61-S08-N210	Standard
CE001167	CECS-007-SEFE-61-S08-N210	Knob style override