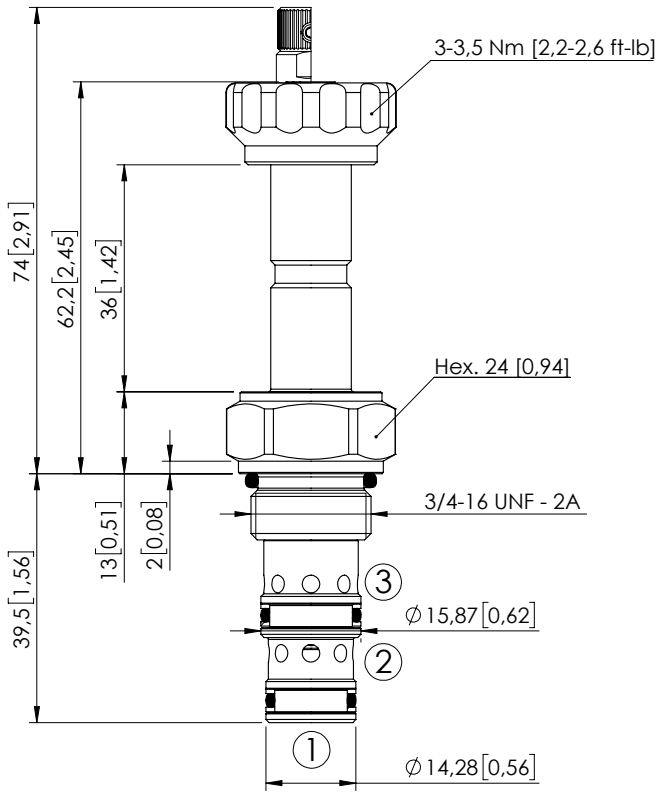


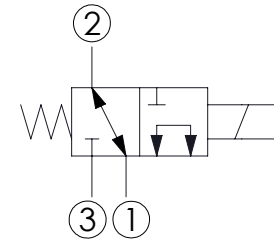
SOLENOID OPERATED CARTRIDGE

# CECS-007-SEFN-64

DIRECT ACTING  
SPOOL TYPE



Dimensions: mm [inches]



## SPECIFICATIONS

Max. operating pressure:	210 bar (3000 psi)
Rated flow:	7 l/min (1,8 gpm)
Cavity:	SAE-08-3N
Weight:	0,14 kg (0,31 lbs)
Min. voltage required:	90% of nominal
Coil type:	M7 or M3 type
Ambient temperature:	-20/+50 °C (-4/+122 °F)
Contamination class to ISO 4406:	See technical spec.
Seal kit:	RB900091
Installation torque:	45 - 50 Nm (33 - 37 ft-lb)
MTF <sub>d</sub> :	150 - 1200 years: See technical spec.
Leakage:	20 cm <sup>3</sup> /min (@46 cSt) 1,2 in <sup>3</sup> /min (@46 cSt)

## NOTES

For other configurations/quick codes not available in this catalogue page please consult factory

## OPTIONS

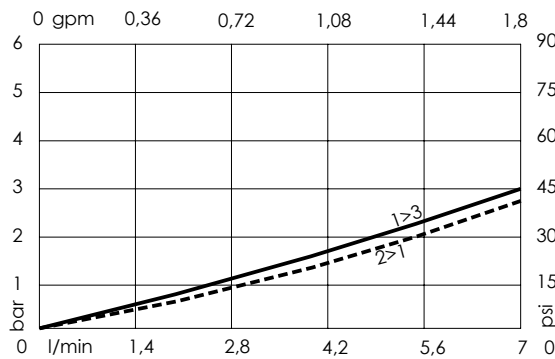
Standard



Knob style  
override



## CURVES



## ORDERING CODES

Quick code	Description	Options
CE001164	CECS-007-SEFN-64-S08-N210	Standard
CE001165	CECS-007-SEFE-64-S08-N210	Knob style override