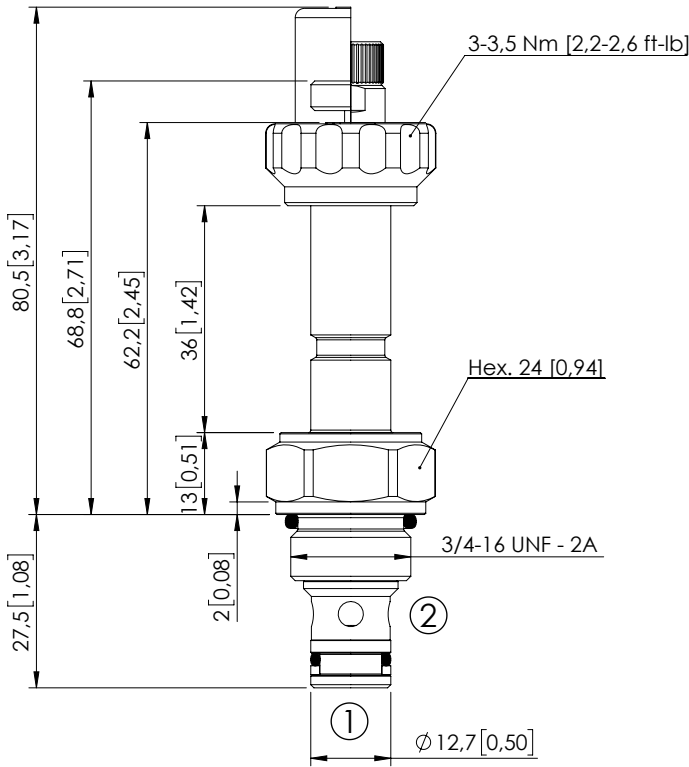


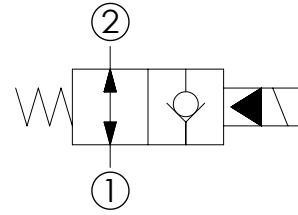
SOLENOID OPERATED CARTRIDGE

CEBE-040-NAFN-06

PILOT OPERATED
POPPET TYPE



Dimensions: mm [inches]



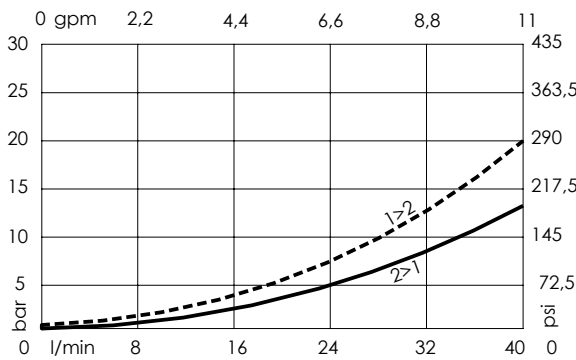
SPECIFICATIONS

| | |
|----------------------------------|---------------------------------------|
| Max. operating pressure: | 350 bar (5000 psi) |
| Rated flow: | 40 l/min (11 gpm) |
| Cavity: | SAE-08-2N |
| Weight: | 0,13 kg (0,29 lbs) |
| Min. voltage required: | 90% of nominal |
| Coil type: | M7 or M3 type |
| Ambient temperature: | -20/+50 °C (-4/+122 °F) |
| Contamination class to ISO 4406: | See technical spec. |
| Seal kit: | RA900081 |
| Installation torque: | 45 - 50 Nm (33,2 - 36,9 ft-lb) |
| MTF _d : | 150 - 1200 years: See technical spec. |

NOTES

For other configurations/quick codes not available in this catalogue page please consult factory

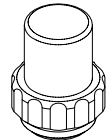
CURVES



OPTIONS

- Standard
- Push style override
- Knob style override

SEALING CAP



Ordering code:
AT000113

ORDERING CODES

| Quick code | Description | Options | Max operating pressure |
|------------|---------------------------|---------------------|------------------------|
| CE001155 | CEBE-040-NAFN-06-S08-N350 | Standard | 350 bar (5000 psi) |
| CE001156 | CEBE-040-NAFP-06-S08-N350 | Push style override | 350 bar (5000 psi) |
| CE001157 | CEBE-040-NAFK-06-S08-N350 | Knob style override | 350 bar (5000 psi) |
| | | | |
| | | | |
| | | | |