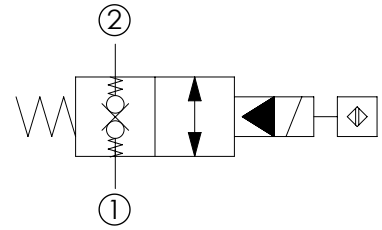
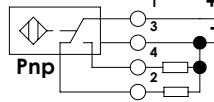
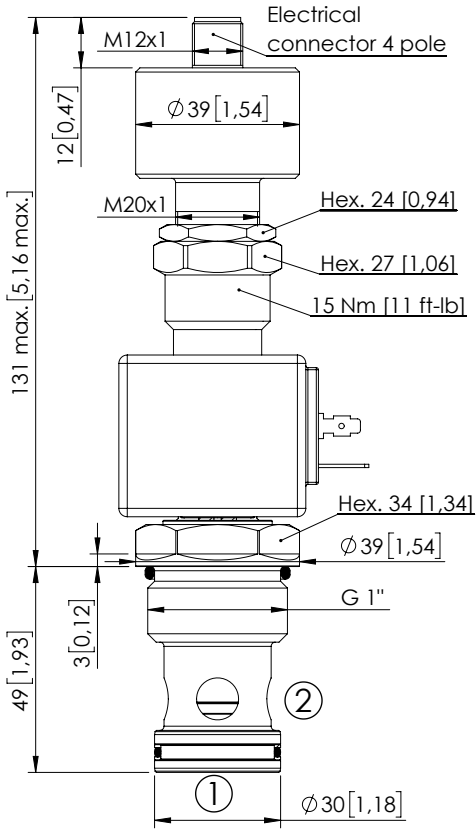


SOLENOID OPERATED CARTRIDGE

CEBN-210-XCDR

POPPET TYPE
PROXIMITY SENSOR



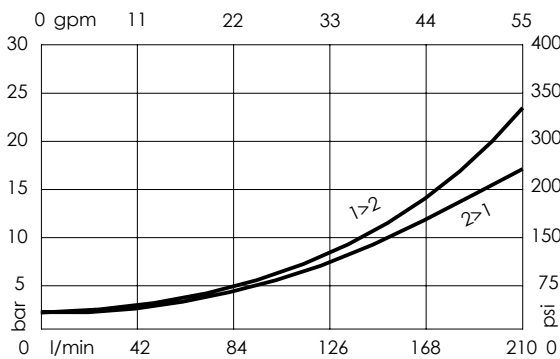
SPECIFICATIONS

Max. operating pressure:	350 bar (5000 psi)
Rated flow:	210 l/min (55 gpm)
Cavity:	VP000013
Weight:	0,71 kg (1,56 lbs)
Min. voltage required:	90% of nominal
Coil type:	M7 type
Ambient temperature:	-20/+50 °C (-4/+122 °F)
Contamination class to ISO 4406:	See technical spec.
Seal kit:	RD100013
Installation torque:	135 - 150 Nm (100 - 111 ft-lb)
MTF _d :	150 years
Operating temperature:	-25/+80°C (-13/+176 °F)

Dimensions: mm [inches]

NOTES

CURVES



ORDERING CODES

Quick code	Description	Connector	Voltage	Options
CE001104	CEBN-210-XCDR-31-013-V350-12HR	DIN 43650	12V DC	Proximity sensor
CE001105	CEBN-210-XCDR-31-013-V350-24HR	DIN 43650	24V DC	Proximity sensor