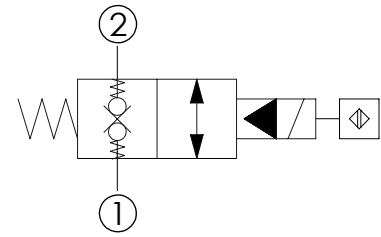
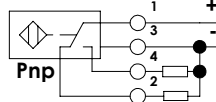
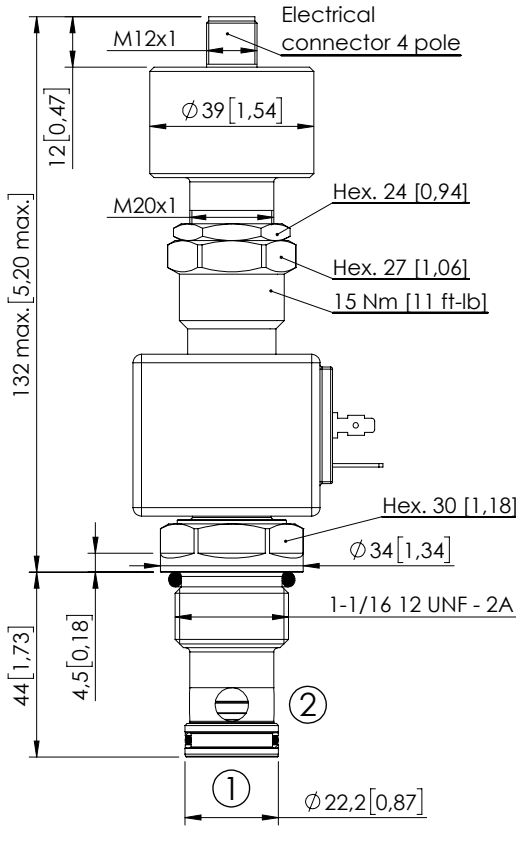


SOLENOID OPERATED CARTRIDGE

# CEBN-190-XCDR-31

POPPET TYPE  
PROXIMITY SENSOR



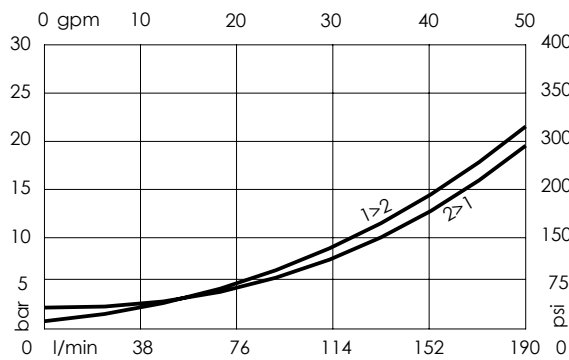
## SPECIFICATIONS

Max. operating pressure:	350 bar (5000 psi)
Rated flow:	190 l/min (50 gpm)
Cavity:	SAE-12-2N
Weight:	0,61 kg (1,32 lbs)
Min. voltage required:	90% of nominal
Coil type:	M7 type
Ambient temperature:	-20/+50 °C (-4/+122 °F)
Contamination class to ISO 4406:	See technical spec.
Seal kit:	RB100083
Installation torque:	135 - 150 Nm (100 - 111 ft-lb)
MTF <sub>d</sub> :	150 - 1200 years: See technical spec.
Operating temperature:	-25/+80°C (-13/+176 °F)

## NOTES

For other configurations/quick codes not available in this catalogue page please consult factory

## CURVES



## ORDERING CODES

Quick code	Description	Connector	Voltage	Options
CE001102	CEBN-190-XCDR-31-S12-V350-12HR	DIN 43650	12V DC	Proximity sensor
CE001103	CEBN-190-XCDR-31-S12-V350-24HR	DIN 43650	24V DC	Proximity sensor