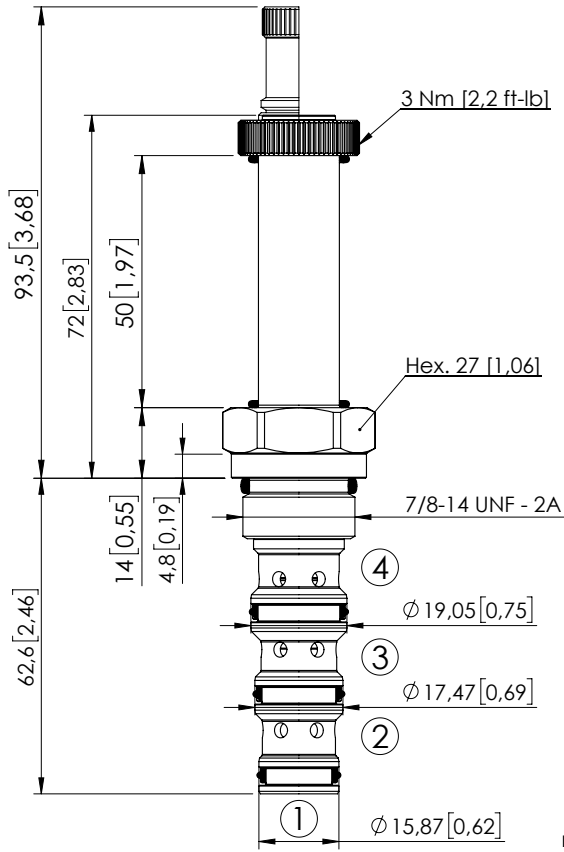


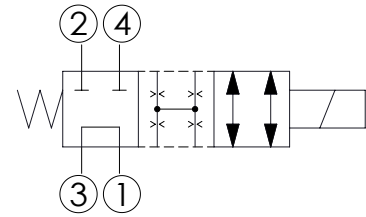
SOLENOID OPERATED CARTRIDGE

CEDS-030-SEFN-43

DIRECT ACTING
SPOOL TYPE



Dimensions: mm [inches]



SPECIFICATIONS

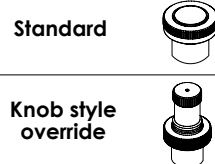
Max. operating pressure:	350 bar (5000 psi)
Max. operating pressure on port 1:	210 bar (3000 psi)
Rated flow:	30 l/min (8 gpm)
Cavity:	SAE-10-4N
Weight:	0.23 kg (0.44 lbs)
Min. voltage required:	90% of nominal
Coil type:	M16 type
Ambient temperature:	-20/+50 °C (-4/+122 °F)
Contamination class to ISO 4406:	See technical spec.
Seal kit:	RB600102
Installation torque:	55 - 62 Nm (41 - 46 ft-lb)
MTF _a :	150 - 1200 years: See technical spec.

NOTES

For other configurations/quick codes not available in this catalogue page please consult factory

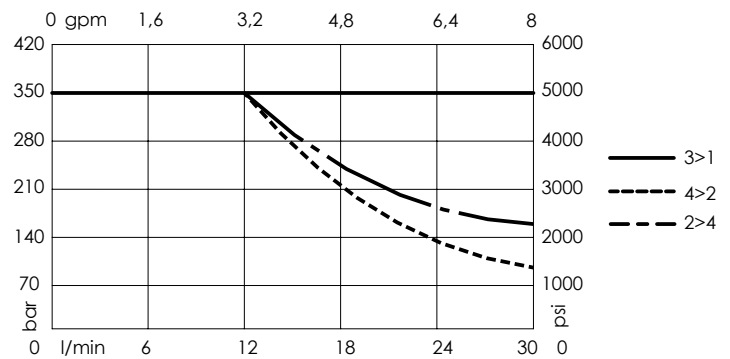
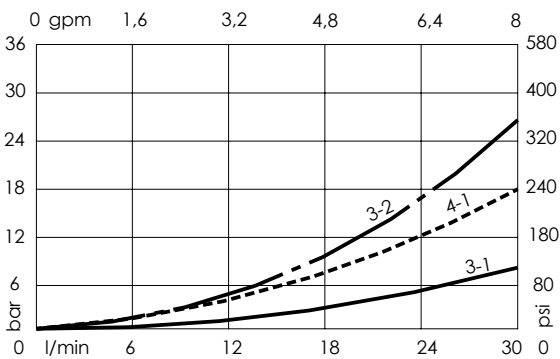
Leakage: 70 cm³/min (@46 cSt)
4,2 in³/min (@46 cSt)

OPTIONS



Knob style override

CURVES



ORDERING CODES

Quick code	Description	Options
CE000996	CEDS-030-SEFN-43-S10-N350	Standard
CE000997	CEDS-030-SEFE-43-S10-N350	Knob style override