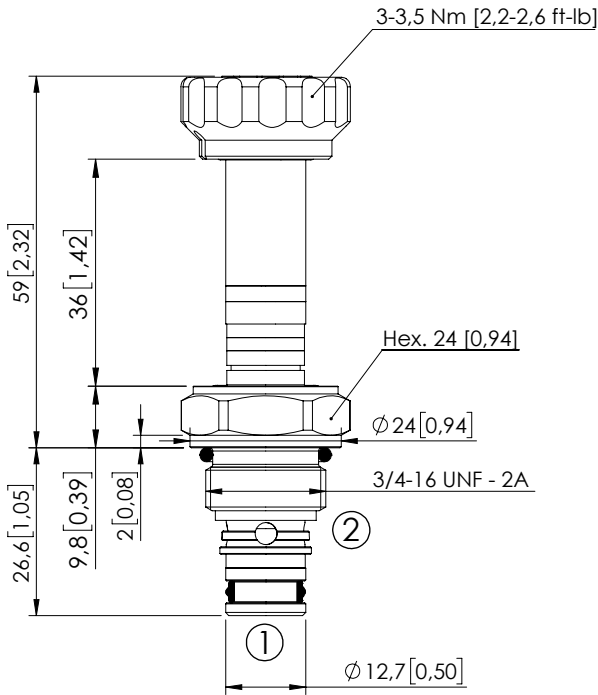


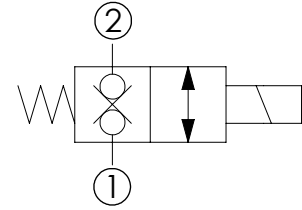
SOLENOID OPERATED CARTRIDGE

CEBD-015-NCFN-21

DIRECT OPERATED
POPPET TYPE



Dimensions: mm [inches]



SPECIFICATIONS

| | |
|------------------------------------|----------------------------|
| Max. operating pressure: | 350 bar (5000 psi) |
| Max. operating pressure on port 1: | 280 bar (4000 psi) |
| Rated flow: | 15 l/min (4 gpm) |
| Cavity: | SAE-08-2N |
| Weight: | 0,1 kg (0,22 lbs) |
| Min. voltage required: | 90% of nominal |
| Coil type: | M7 or M3 type |
| Ambient temperature: | -20/+50 °C (-4/+122 °F) |
| Contamination class to ISO 4406: | See technical spec. |
| Seal kit: | RA700081 |
| Installation torque: | 45 - 50 Nm (33 - 37 ft-lb) |
| MTF _a : | 150 years |

NOTES

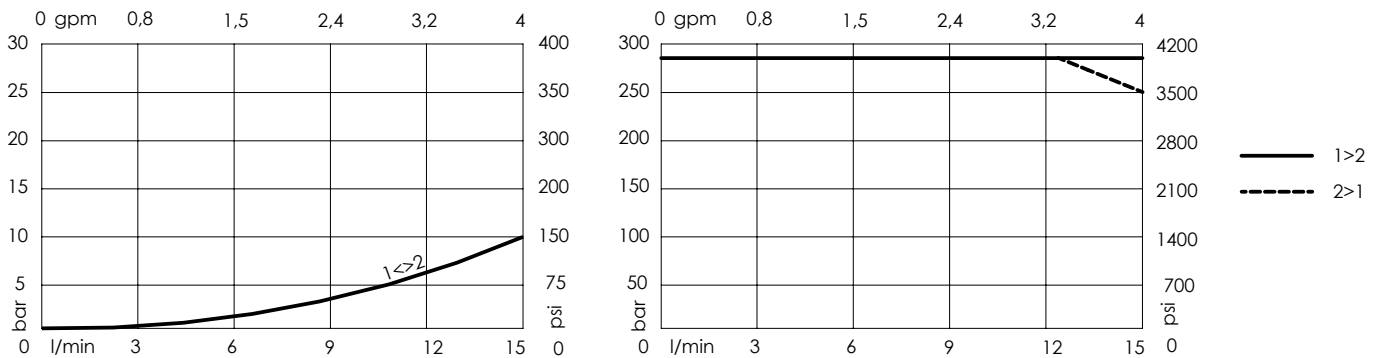
For other configurations/quick codes not available in this catalogue page please consult factory

OPTIONS

Standard



CURVES



ORDERING CODES

| Quick code | Description | Options |
|------------|---------------------------|----------|
| CE000966 | CEBD-015-NCFN-21-S08-N210 | Standard |
| | | |
| | | |
| | | |
| | | |
| | | |