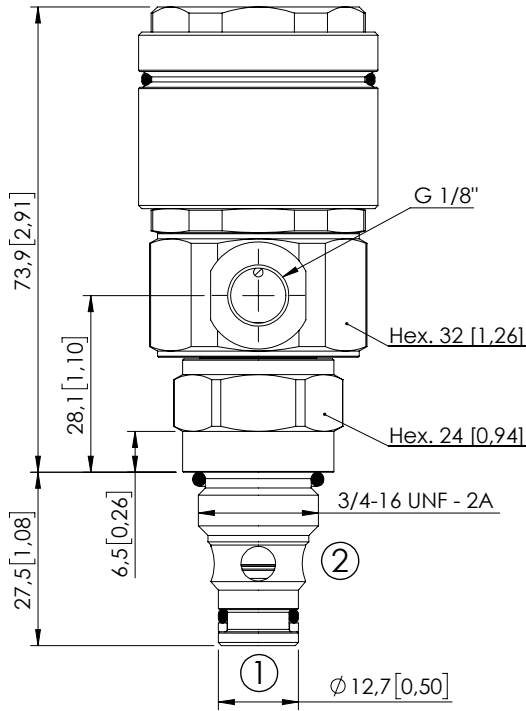


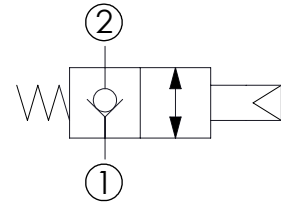
SOLENOID OPERATED CARTRIDGE

# CEBN-060-NCAN-123

PNEUMATIC OPERATED  
POPPET TYPE



Dimensions: mm [inches]



## SPECIFICATIONS

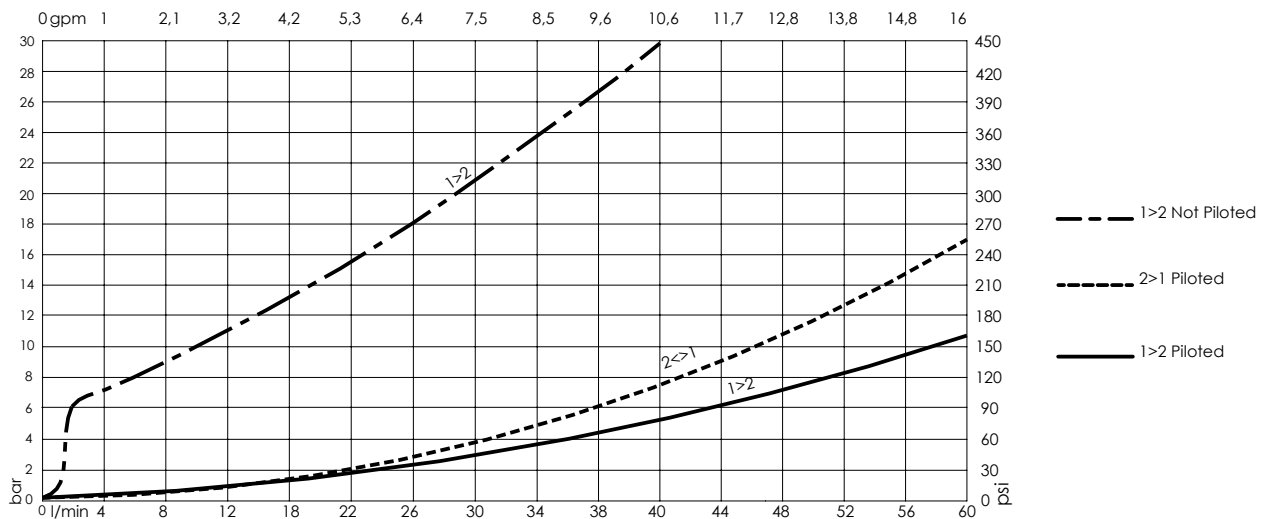
Max. operating pressure:	350 bar (5000 psi)
Rated flow:	60 l/min (16 gpm)
Cavity:	SAE-08-2N
Weight:	0,31 kg (0,68 lbs)
Contamination class to ISO 4406:	See technical spec.
Seal kit:	RA900081
Installation torque:	45 - 50 Nm (33 - 37 ft-lb)
MTF <sub>d</sub> :	150 years

## NOTES

Airbleed.

For other configurations/quick codes not available in this catalogue page please consult factory

## CURVES



## ORDERING CODES

Quick code	Description	Pneumatic pilot pressure	
		Min. 4 bar (Min.58 psi)	Max. 10 bar (Min.145 psi)
CE000961	CEBN-060-NCAN-123-S08-N350		