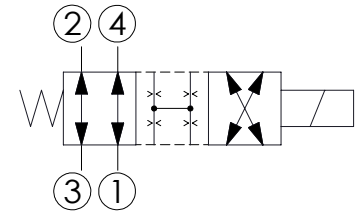
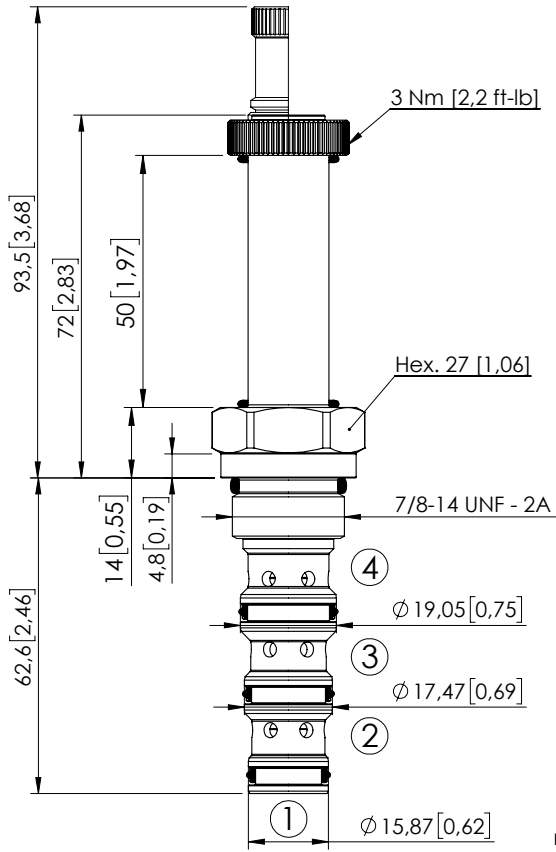


SOLENOID OPERATED CARTRIDGE

# CEDS-030-SEFN-40

DIRECT ACTING  
SPOOL TYPE



## SPECIFICATIONS

Max. operating pressure:	350 bar (5000 psi)
Rated flow:	30 l/min (8 gpm)
Cavity:	SAE-10-4N
Weight:	0,22 kg (0,44 lbs)
Min. voltage required:	90% of nominal
Coil type:	M16 type
Ambient temperature:	-20/+50 °C (-4/+122 °F)
Contamination class to ISO 4406:	See technical spec.
Seal kit:	RB600102
Installation torque:	55 - 62 Nm (41 - 46 ft-lb)
MTF <sub>d</sub> :	150 years
Leakage:	70 cm <sup>3</sup> /min (@46 cSt) 4,2 in <sup>3</sup> /min (@46 cSt)

## NOTES

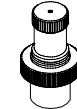
For other configurations/quick codes not available in this catalogue page please consult factory

## OPTIONS

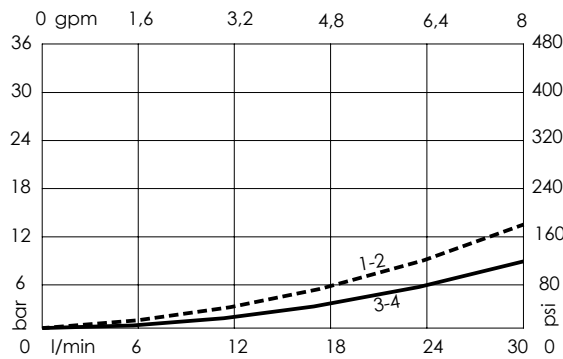
Standard



Knob style override



## CURVES



## ORDERING CODES

Quick code	Description	Options
CE000951	CEDS-030-SEFN-40-S10-N350	Standard
CE000993	CEDS-030-SEFE-40-S10-N350	Knob style override