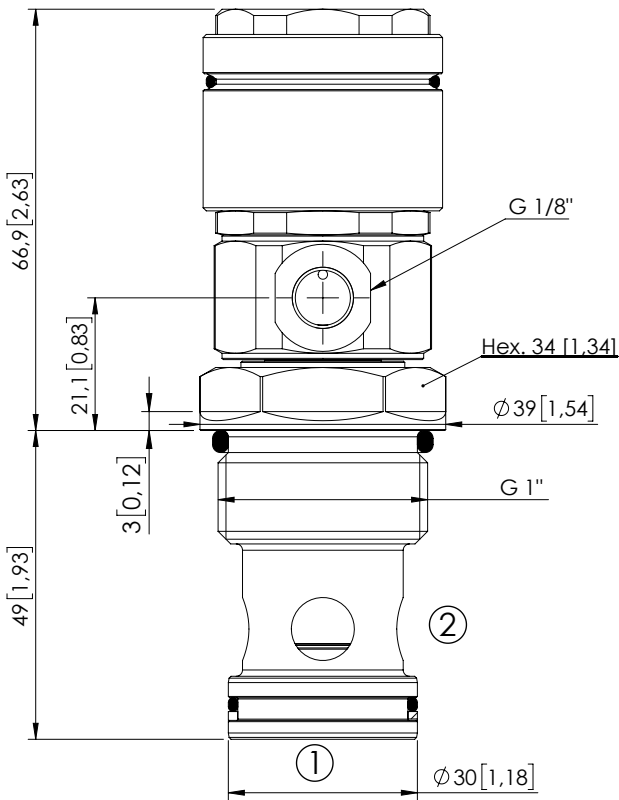
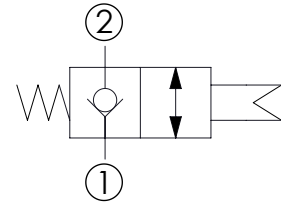


CEBN-210-NCAN

PNEUMATIC OPERATED
POPPET TYPE



Dimensions: mm [inches]



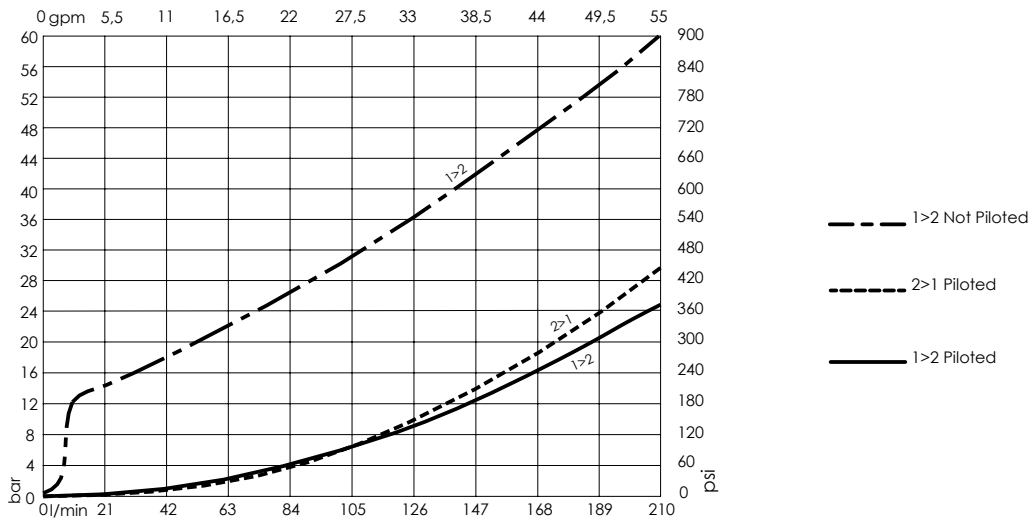
SPECIFICATIONS

Max. operating pressure:	350 bar (5000 psi)
Rated flow:	210 l/min (55 gpm)
Cavity:	VP000013
Weight:	0,52 kg (1,14 lbs)
Contamination class to ISO 4406:	See technical spec.
Seal kit:	RA900013
Installation torque:	135 - 150 Nm (100 - 111 ft-lb)
MTF _a :	150 years

NOTES

Airbleed.

CURVES



ORDERING CODES

Quick code	Description	Pneumatic pilot pressure	
CE000883	CEBN-210-NCAN-123-013-N350	Min. 4 bar (Min.58 psi)	Max. 10 bar (Min.145 psi)