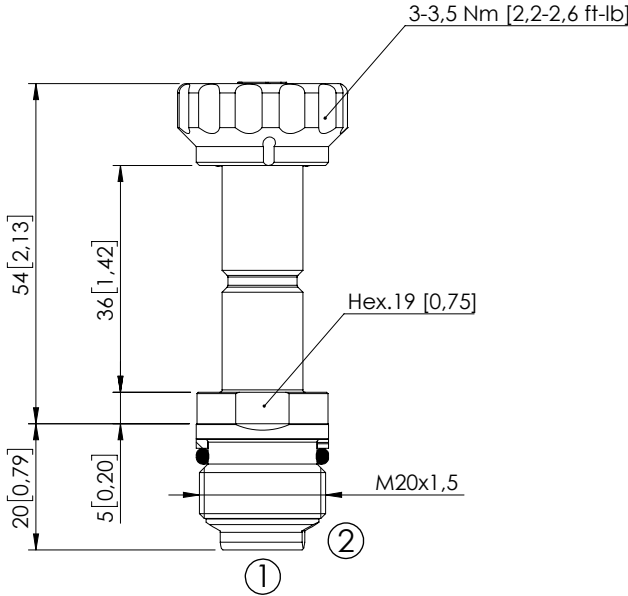


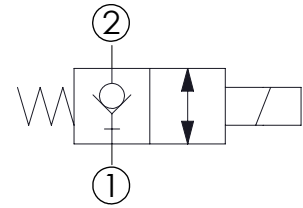
SOLENOID OPERATED CARTRIDGE

**CEBD-001-NCFN-15**

DIRECT OPERATED  
POPPET TYPE



Dimensions: mm [inches]



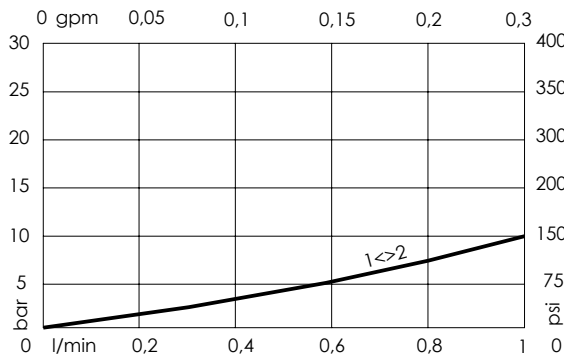
**SPECIFICATIONS**

Max. operating pressure:	<b>350 bar (5000 psi)</b>
Rated flow:	<b>1 l/min (0,3 gpm)</b>
Cavity:	<b>VP000445</b>
Weight:	<b>0,1 kg (0,3 lbs)</b>
Min. voltage required:	<b>90% of nominal</b>
Coil type:	<b>M7 or M3 type</b>
Ambient temperature:	<b>-20/+50 °C (-4/+122 °F)</b>
Contamination class to ISO 4406:	See technical spec.
Seal kit:	<b>RC700445</b>
Installation torque:	<b>40 - 45 Nm (30 - 33 ft-lb)</b>
MTF <sub>d</sub> :	<b>150 - 1200 years: See technical spec.</b>

**NOTES**

For other configurations/quick codes not available in this catalogue page please consult factory

**CURVES**



**ORDERING CODES**

Quick code	Description	Options	Max operating pressure
CE000870	CEBD-001-NCFN-15-445-N350	Standard	350 bar (5000 psi)