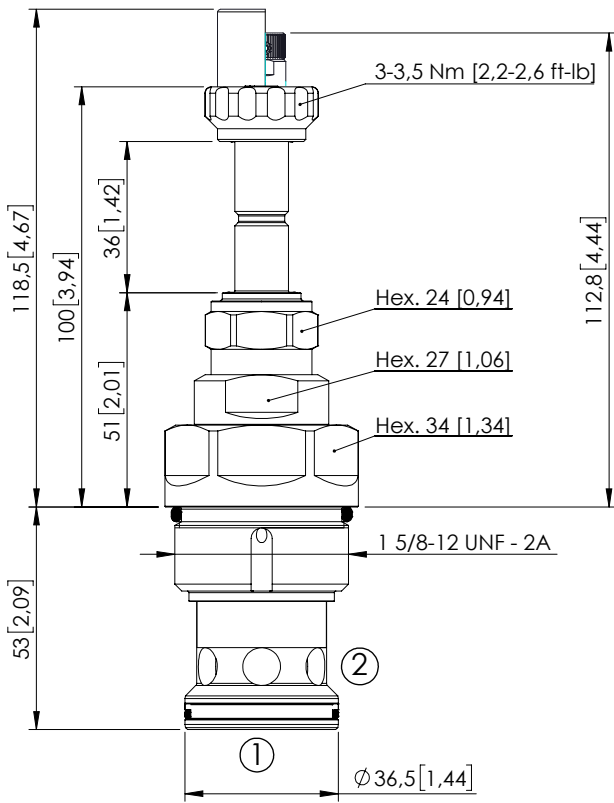


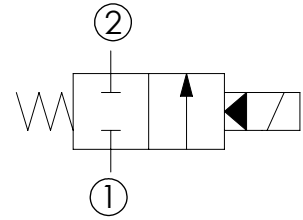
SOLENOID OPERATED CARTRIDGE

CEBT-600-NCFN-98

PILOTED OPERATED
SPOOL TYPE



Dimensions: mm [inches]



SPECIFICATIONS

Max. operating pressure:	350 bar (5000 psi)
Rated flow:	600 l/min (158 gpm)
Cavity:	SAE-20-2N
Weight:	0,7 kg (1,54 lbs)
Min. voltage required:	90% of nominal
Coil type:	M7 or M3 type
Ambient temperature:	-20/+50 °C (-4/+122 °F)
Contamination class to ISO 4406:	See technical spec.
Seal kit:	RA900085
Installation torque:	140 - 150 Nm (103 - 110 ft-lb)
MTF _d :	150 - 1200 years: See technical spec.
Max. int. leakage:	400 cm ³ /min (@46 cSt) 24,4 in ³ /min (@46 cSt)

NOTES

For other configurations/quick codes not available in this catalogue page please consult factory

OPTIONS

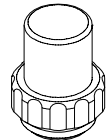
Standard



Knob style override

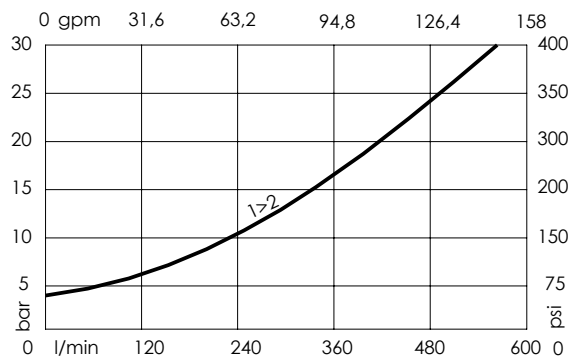


SEALING CAP



Ordering code:
AT000113

CURVES



ORDERING CODES

Quick code	Description	Options	Max operating pressure
CE000763	CEBT-600-NCFN-98-S20-N350	Standard	350 bar (5000 psi)
CE000764	CEBT-600-NCFK-98-S20-N350	Knob style override	350 bar (5000 psi)