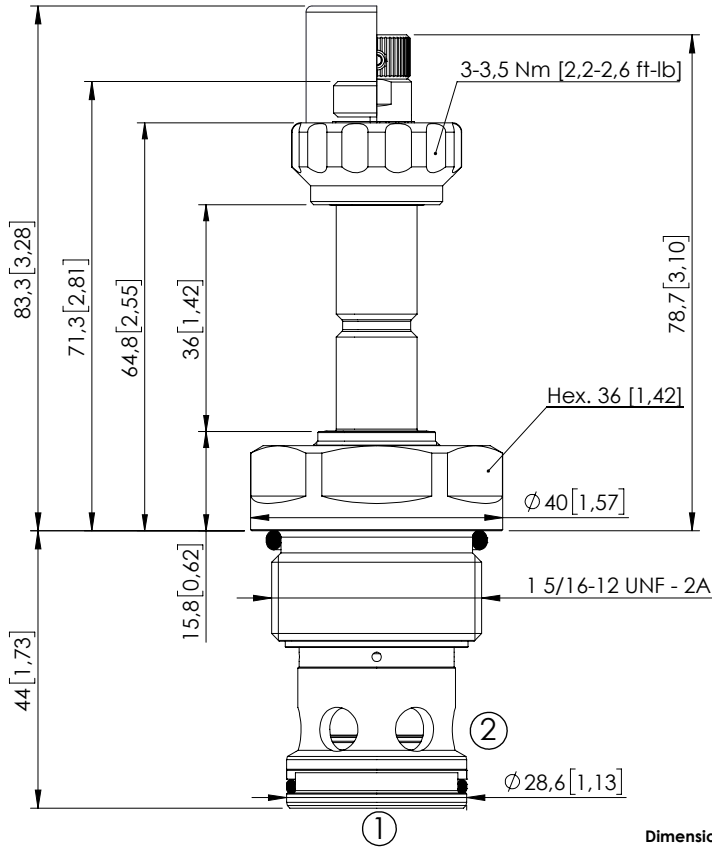


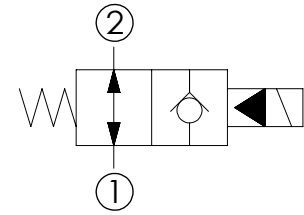
SOLENOID OPERATED CARTRIDGE

CEBN-310-NAFN-04

PILOT OPERATED
POPPET TYPE



Dimensions: mm [inches]



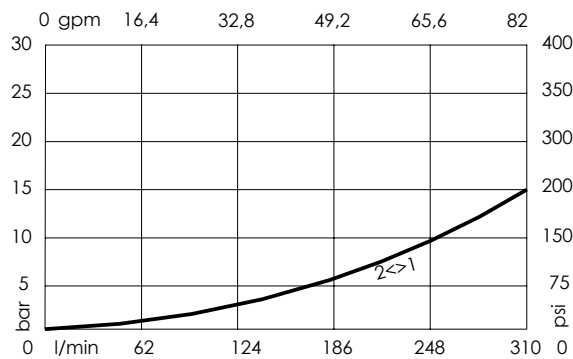
SPECIFICATIONS

| | |
|----------------------------------|---------------------------------------|
| Max. operating pressure: | 350/500 bar (5000/7200 psi) |
| Rated flow: | 310 l/min (82 gpm) |
| Cavity: | SAE-16-2N |
| Weight: | 0,36 kg (0,79 lbs) |
| Min. voltage required: | 90% of nominal |
| Coil type: | M7 or M3 type |
| Ambient temperature: | -20/+50 °C (-4/+122 °F) |
| Contamination class to ISO 4406: | See technical spec. |
| Seal kit: | RA900084 |
| Installation torque: | 200 - 210 Nm (148 - 155 ft-lb) |
| MTF _d : | 150 - 1200 years: See technical spec. |

NOTES

For other configurations/quick codes not available in this catalogue page please consult factory

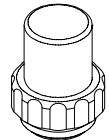
CURVES



OPTIONS

- Standard
- Push style override
- Knob style override

SEALING CAP



Ordering code:
AT000113

ORDERING CODES

| Quick code | Description | Options | Max operating pressure |
|------------|---------------------------|---------------------|------------------------|
| CE000408 | CEBN-310-NAFN-04-S16-N350 | Standard | 350 bar (5000 psi) |
| CE000409 | CEBN-310-NAFP-04-S16-N350 | Push style override | 350 bar (5000 psi) |
| CE000410 | CEBN-310-NAFK-04-S16-N350 | Knob style override | 350 bar (5000 psi) |
| CE000708 | CEBN-310-NAFN-04-S16-N500 | Standard | 500 bar (7200 psi) |
| CE000709 | CEBN-310-NAFP-04-S16-N500 | Push style override | 500 bar (7200 psi) |
| CE000710 | CEBN-310-NAFK-04-S16-N500 | Knob style override | 500 bar (7200 psi) |