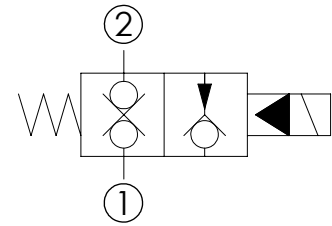
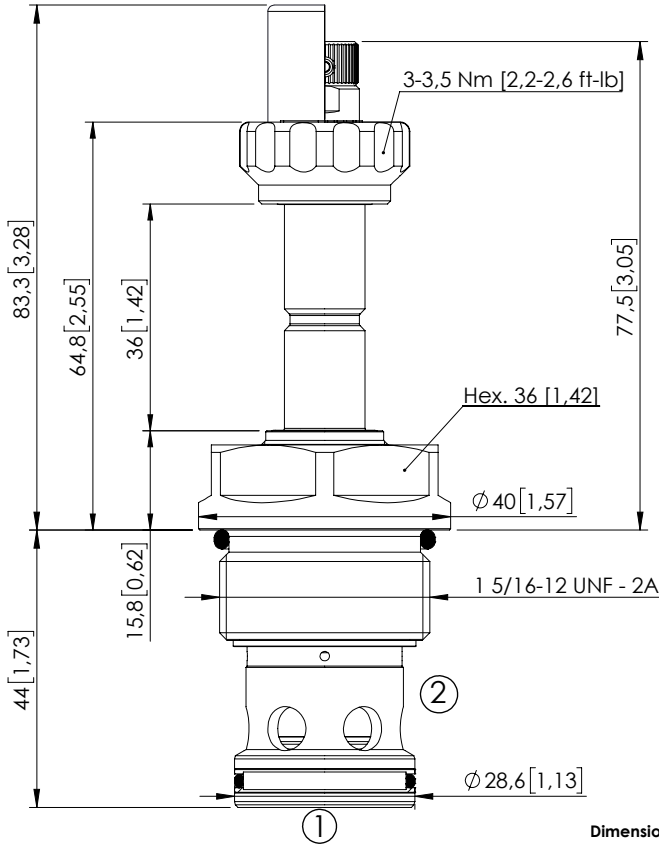


SOLENOID OPERATED CARTRIDGE

CEBN-310-NCFN-11 PILOT OPERATED POPPET TYPE



SPECIFICATIONS

Max. operating pressure:	350/500 bar (5000/7200 psi)
Rated flow:	310 l/min (82 gpm)
Cavity:	SAE-16-2N
Weight:	0,36 kg (0,79 lbs)
Min. voltage required:	90% of nominal
Coil type:	M7 or M3 type
Ambient temperature:	-20/+50 °C (-4/+122 °F)
Contamination class to ISO 4406:	See technical spec.
Seal kit:	RB900084
Installation torque:	200 - 210 Nm (148 - 156 ft-lb)
MTF _d :	150 years

NOTES

For other configurations/quick codes not available in this catalogue page please consult factory

OPTIONS

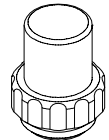
Standard



Knob style override

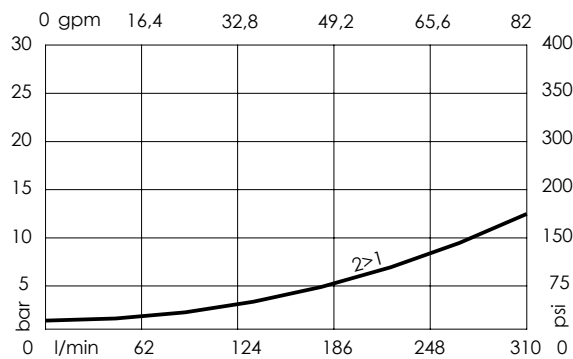


SEALING CAP



Ordering code:
AT000113

CURVES



ORDERING CODES

Quick code	Description	Options	Max operating pressure
CE000397	CEBN-310-NCFN-11-S16-N350	Standard	350 bar (5000 psi)
CE000399	CEBN-310-NCFK-11-S16-N350	Knob style override	350 bar (5000 psi)
CE000697	CEBN-310-NCFN-11-S16-N500	Standard	500 bar (7200 psi)
CE000699	CEBN-310-NCFK-11-S16-N500	Knob style override	500 bar (7200 psi)