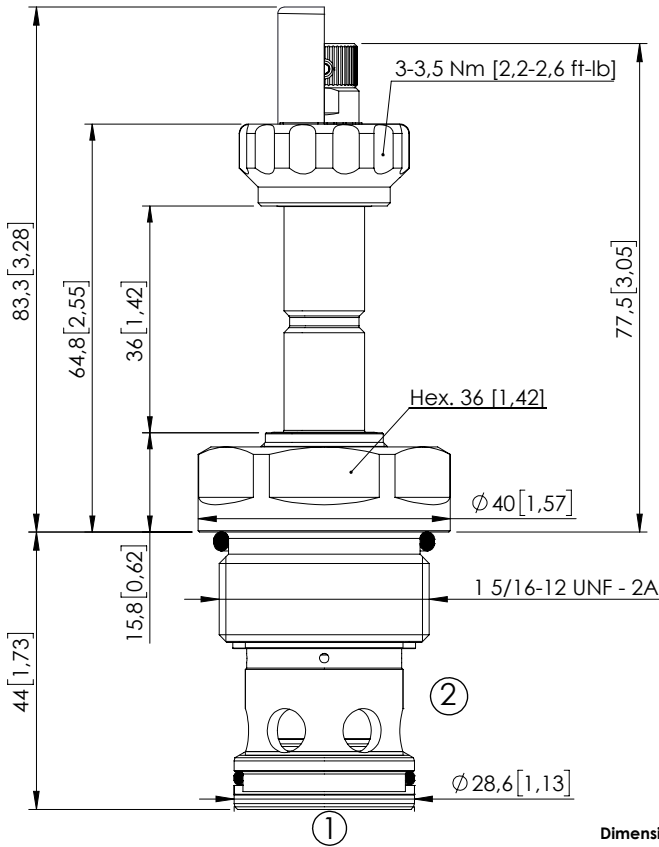
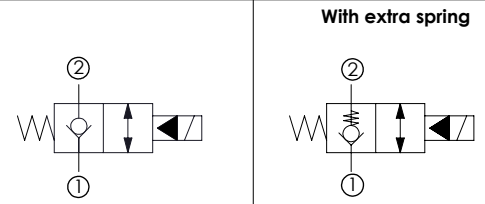


SOLENOID OPERATED CARTRIDGE

**CEBN-310-NCFN-05** PILOT OPERATED POPPET TYPE



Dimensions: mm [inches]



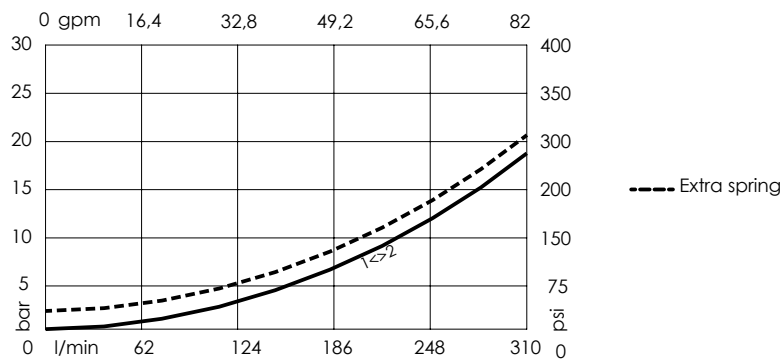
**SPECIFICATIONS**

Max. operating pressure:	350/500 bar (5000/7200 psi)
Rated flow:	310 l/min (82 gpm)
Cavity:	SAE-16-2N
Weight:	0,36 kg (0,79 lbs)
Min. voltage required:	90% of nominal
Coil type:	M7 or M3 type
Ambient temperature:	-20/+50 °C (-4/+122 °F)
Contamination class to ISO 4406:	See technical spec.
Seal kit:	RA900084
Installation torque:	200 - 210 Nm (148- 155 ft-lb)
MTF <sub>d</sub> :	150 years

**NOTES**

For other configurations/quick codes not available in this catalogue page please consult factory

**CURVES**



**OPTIONS**

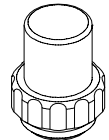
Standard



Knob style override



**SEALING CAP**



Ordering code:  
AT000113

**ORDERING CODES**

Quick code	Description	Options	Max operating pressure	Extra Spring
CE000393	CEBN-310-NCFN-05-S16-N350	Standard	350 bar (5000 psi)	No
CE000395	CEBN-310-NCFK-05-S16-N350	Knob style override	350 bar (5000 psi)	No
CE000394	CEBN-310-XCFN-05-S16-N350	Standard	350 bar (5000 psi)	Yes
CE000396	CEBN-310-XCFK-05-S16-N350	Knob style override	350 bar (5000 psi)	Yes
CE000693	CEBN-310-NCFN-05-S16-N500	Standard	500 bar (7200 psi)	No
CE000695	CEBN-310-NCFK-05-S16-N500	Knob style override	500 bar (7200 psi)	No
CE000694	CEBN-310-XCFN-05-S16-N500	Standard	500 bar (7200 psi)	Yes