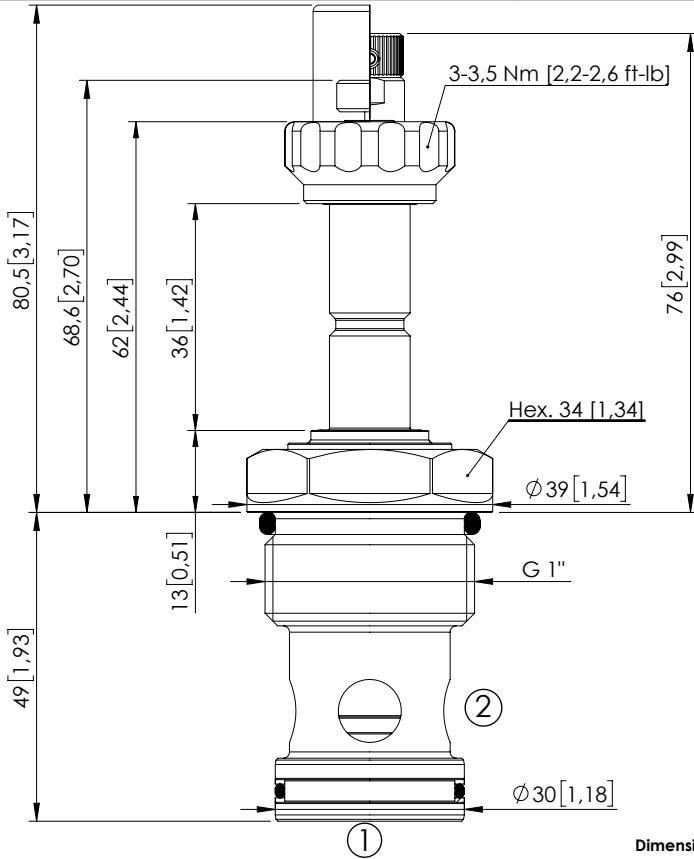


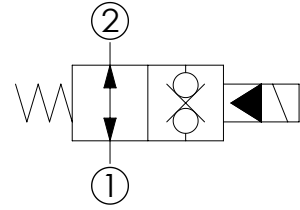
SOLENOID OPERATED CARTRIDGE

CEBN-210-NAFN

PILOT OPERATED
POPPET TYPE



Dimensions: mm [inches]



SPECIFICATIONS

Max. operating pressure:	350/500 bar (5000/7200 psi)
Rated flow:	210 l/min (55 gpm)
Cavity:	VP000013
Weight:	0,35 kg (0,77 lbs)
Min. voltage required:	90% of nominal
Coil type:	M7 or M3 type
Ambient temperature:	-20/+50 °C (-4/+122 °F)
Contamination class to ISO 4406:	See technical spec.
Seal kit:	RD900013
Installation torque:	135 - 150 Nm (100 - 111 ft-lb)
MTF _d :	150 years

NOTES

OPTIONS

SEALING CAP

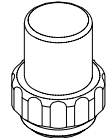
Standard



Push style override

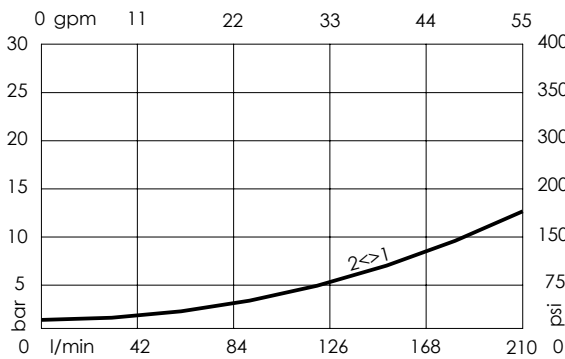


Knob style override



Ordering code:
AT000113

CURVES



ORDERING CODES

Quick code	Description	Options	Max operating pressure
CE000382	CEBN-210-NAFN-32-013-N350	Standard	350 bar (5000 psi)
CE000383	CEBN-210-NAFP-32-013-N350	Push style override	350 bar (5000 psi)
CE000384	CEBN-210-NAFK-32-013-N350	Knob style override	350 bar (5000 psi)
CE000682	CEBN-210-NAFN-32-013-N500	Standard	500 bar (7200 psi)
CE000683	CEBN-210-NAFP-32-013-N500	Push style override	500 bar (7200 psi)
CE000684	CEBN-210-NAFK-32-013-N500	Knob style override	500 bar (7200 psi)