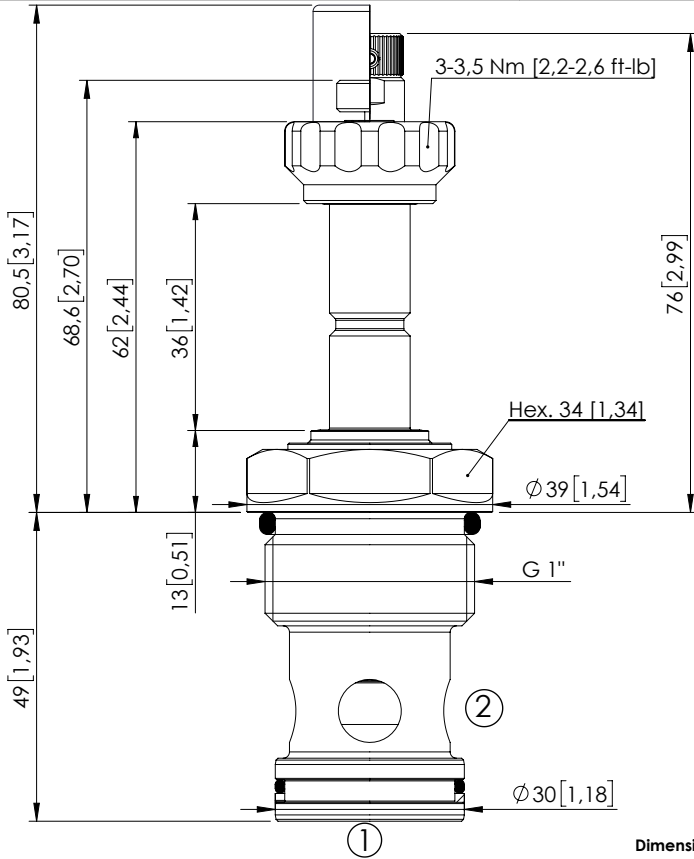


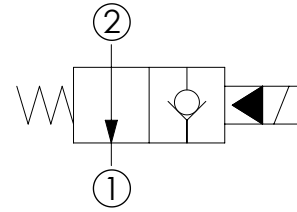
SOLENOID OPERATED CARTRIDGE

# CEBN-210-NCFN

PILOT OPERATED  
POPPET TYPE



Dimensions: mm [inches]



## SPECIFICATIONS

Max. operating pressure:	350/500 bar (5000/7200 psi)
Rated flow:	210 l/min (55 gpm)
Cavity:	VP000013
Weight:	0,35 kg (0,77 lbs)
Min. voltage required:	90% of nominal
Coil type:	M7 or M3 type
Ambient temperature:	-20/+50 °C (-4/+122 °F)
Contamination class to ISO 4406:	See technical spec.
Seal kit:	RC900013
Installation torque:	135 - 150 Nm (100 - 111 ft-lb)
MTF <sub>d</sub> :	150 years

## NOTES

## OPTIONS

## SEALING CAP

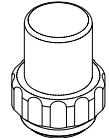
Standard



Push style override

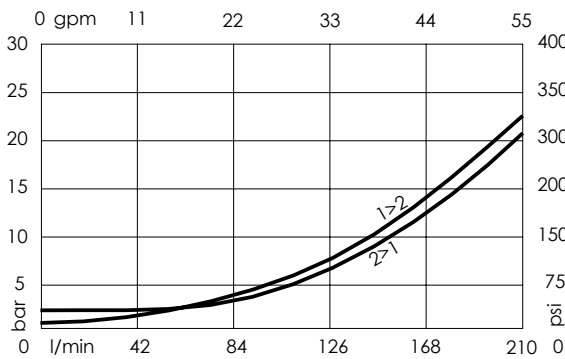


Knob style override



Ordering code:  
AT000113

## CURVES



## ORDERING CODES

Quick code	Description	Options	Max operating pressure
CE000370	CEBN-210-NAFN-02-013-N350	Standard	350 bar (5000 psi)
CE000371	CEBN-210-NAFP-02-013-N350	Push style override	350 bar (5000 psi)
CE000372	CEBN-210-NAFK-02-013-N350	Knob style override	350 bar (5000 psi)
CE000670	CEBN-210-NAFN-02-013-N500	Standard	500 bar (7200 psi)
CE000671	CEBN-210-NAFP-02-013-N500	Push style override	500 bar (7200 psi)
CE000672	CEBN-210-NAFK-02-013-N500	Knob style override	500 bar (7200 psi)