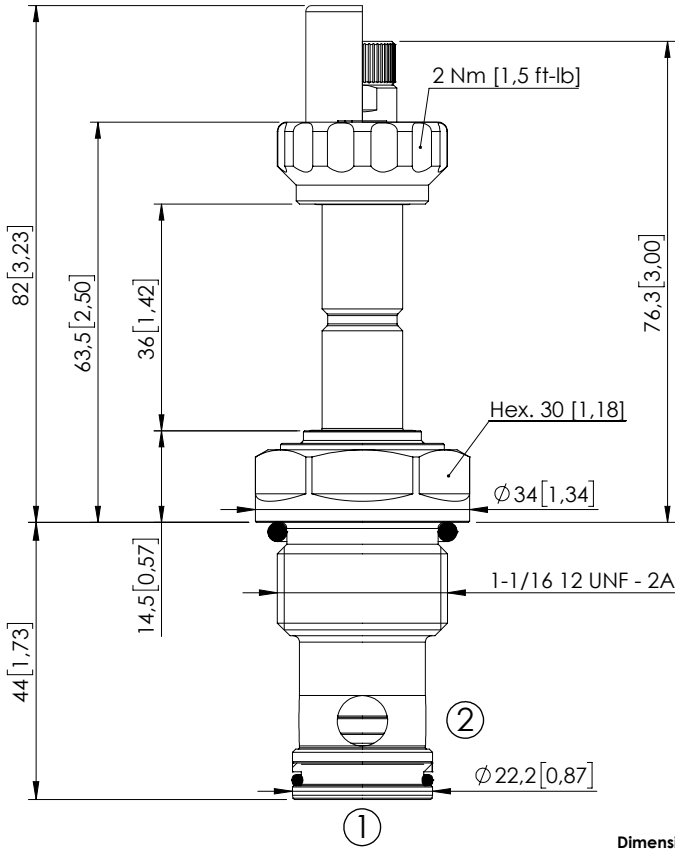


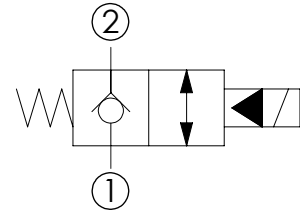
SOLENOID OPERATED CARTRIDGE

CEBN-190-NCFN

PILOT OPERATED
POPPET TYPE



Dimensions: mm [inches]



SPECIFICATIONS

Max. operating pressure:	350/500 bar (5000/7200 psi)
Rated flow:	190 l/min (50 gpm)
Cavity:	SAE-12-2N
Weight:	0,25 kg (0,55 lbs)
Min. voltage required:	90% of nominal
Coil type:	M7 type
Ambient temperature:	-20/+50 °C (-4/+122 °F)
Contamination class to ISO 4406:	See technical spec.
Seal kit:	RA900083
Installation torque:	135 - 150 Nm (99,5 - 110,6 ft-lb)
MTF _d :	150 years

NOTES

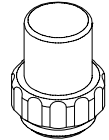
OPTIONS

SEALING CAP

Standard

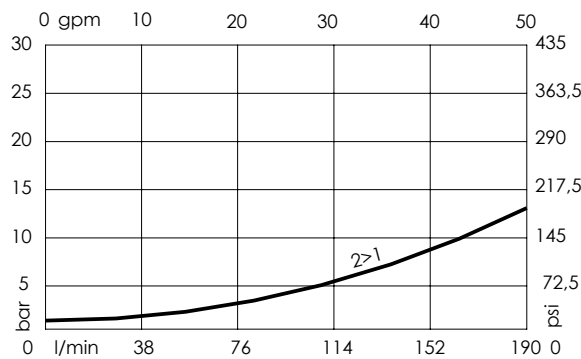


Knob style
override



Ordering code:
AT000113

CURVES



ORDERING CODES

Quick code	Description	Options	Max operating pressure
CE000319	CEBN-190-NCFN-03-S12-N350	Standard	350 bar (5000 psi)
CE000321	CEBN-190-NCFK-03-S12-N350	Knob style override	350 bar (5000 psi)
CE000619	CEBN-190-NCFN-03-S12-N500	Standard	500 bar (7200 psi)
CE000621	CEBN-190-NCFK-03-S12-N500	Knob style override	500 bar (7200 psi)