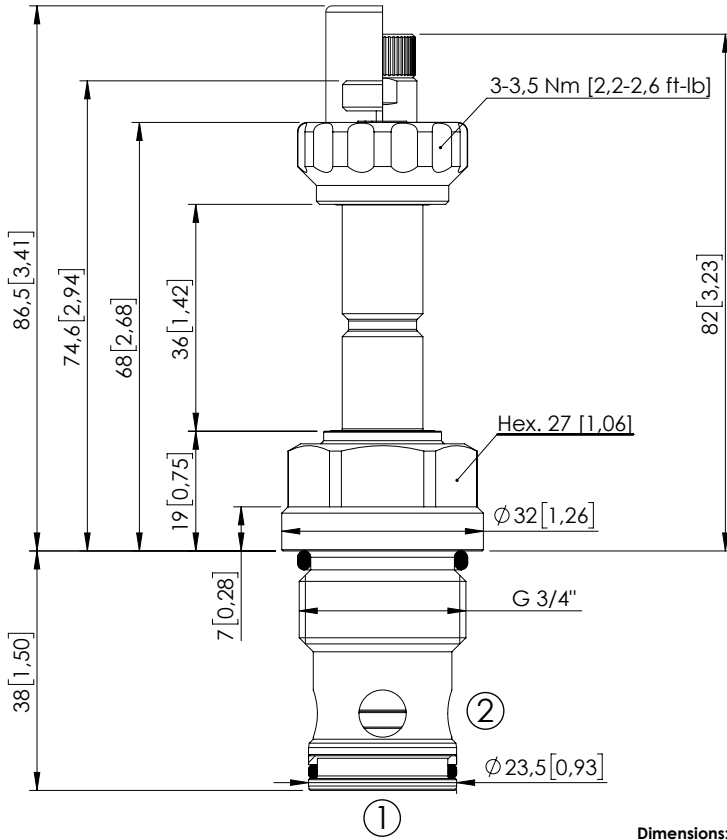


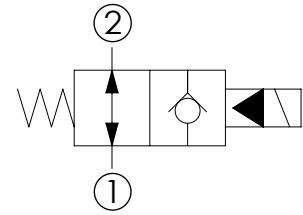
SOLENOID OPERATED CARTRIDGE

# CEBN-110-NAFN

PILOT OPERATED  
POPPET TYPE



Dimensions: mm [inches]



## SPECIFICATIONS

Max. operating pressure:	350/500 bar (5000/7200 psi)
Rated flow:	110 l/min (29 gpm)
Cavity:	VP000057
Weight:	0,25 kg (0,55 lbs)
Min. voltage required:	90% of nominal
Coil type:	M7 or M3 type
Ambient temperature:	-20/+50 °C (-4/+122 °F)
Contamination class to ISO 4406:	See technical spec.
Seal kit:	RC900057
Installation torque:	110 - 130 Nm (81 - 96 ft-lb)
MTF <sub>d</sub> :	150 years

## NOTES

## OPTIONS

## SEALING CAP

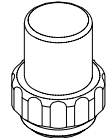
Standard



Push style override

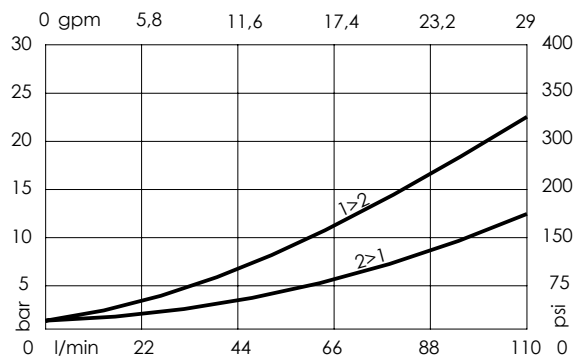


Knob style override



Ordering code:  
AT000113

## CURVES



## ORDERING CODES

Quick code	Description	Options	Max operating pressure
CE000303	CEBN-110-NAFN-04-057-N350	Standard	350 bar (5000 psi)
CE000304	CEBN-110-NAFP-04-057-N350	Push style override	350 bar (5000 psi)
CE000305	CEBN-110-NAFK-04-057-N350	Knob style override	350 bar (5000 psi)
CE000603	CEBN-110-NAFN-04-057-N500	Standard	500 bar (7200 psi)
CE000604	CEBN-110-NAFP-04-057-N500	Push style override	500 bar (7200 psi)
CE000605	CEBN-110-NAFK-04-057-N500	Knob style override	500 bar (7200 psi)