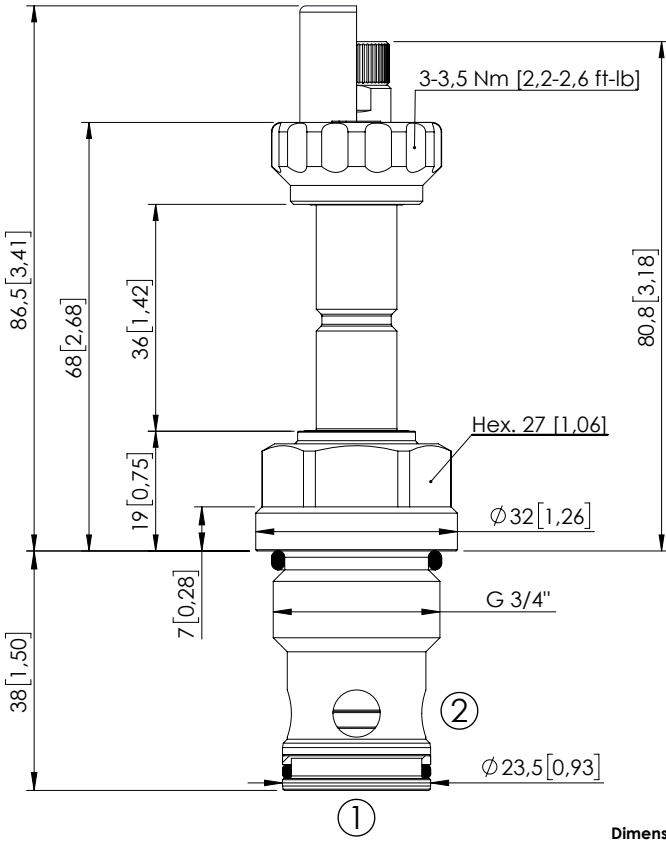


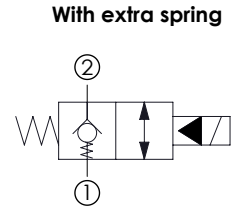
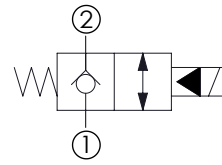
SOLENOID OPERATED CARTRIDGE

# CEBN-110-NCFN

PILOT OPERATED  
POPPET TYPE



Dimensions: mm [inches]



## SPECIFICATIONS

Max. operating pressure:	350/500 bar (5000/7200 psi)
Rated flow:	110 l/min (29 gpm)
Cavity:	VP000057
Weight:	0,25 kg (0,55 lbs)
Min. voltage required:	90% of nominal
Coil type:	M7 or M3 type
Ambient temperature:	-20/+50 °C (-4/+122 °F)
Contamination class to ISO 4406:	See technical spec.
Seal kit:	RC900057
Installation torque:	110 - 130 Nm (81 - 96 ft-lb)
MTF <sub>d</sub> :	150 years

## NOTES

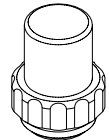
## OPTIONS

## SEALING CAP

Standard

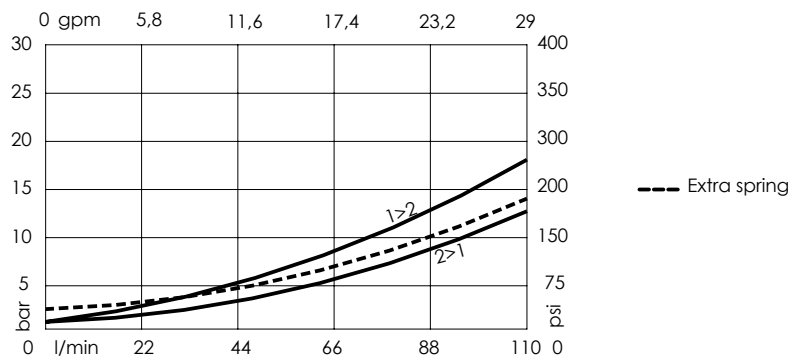


Knob style  
override



Ordering code:  
AT000113

## CURVES



## ORDERING CODES

Quick code	Description	Options	Max operating pressure	Extra Spring
CE000284	CEBN-110-NCFN-03-057-N350	Standard	350 bar (5000 psi)	No
CE000286	CEBN-110-NCFK-03-057-N350	Knob style override	350 bar (5000 psi)	No
CE000584	CEBN-110-NCFN-03-057-N500	Standard	500 bar (7200 psi)	No
CE000586	CEBN-110-NCFK-03-057-N500	Knob style override	500 bar (7200 psi)	No
CE000585	CEBN-110-XCFN-03-057-N500	Standard	500 bar (7200 psi)	Yes
CE000587	CEBN-110-XCFK-03-057-N500	Knob style override	500 bar (7200 psi)	Yes