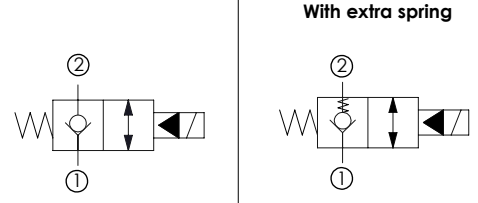
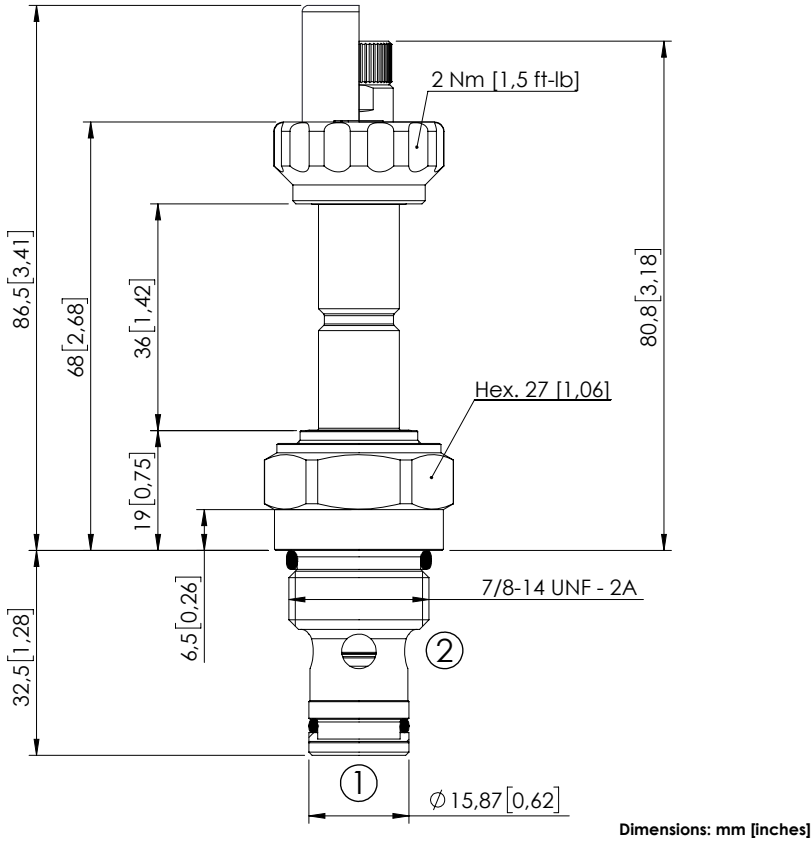


SOLENOID OPERATED CARTRIDGE

**CEBN-080-NCFN-05** PILOT OPERATED POPPET TYPE



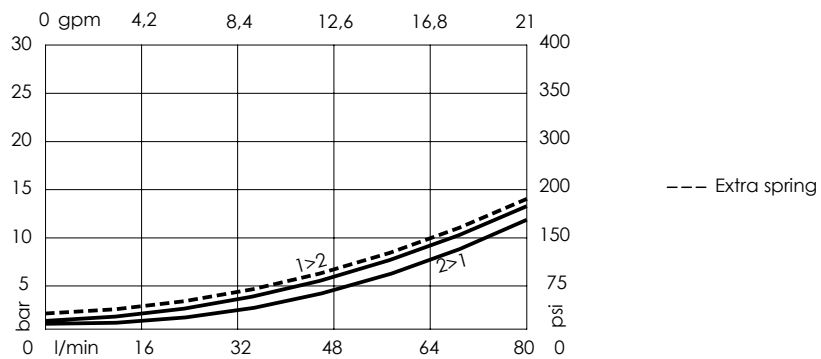
**SPECIFICATIONS**

Max. operating pressure:	350/500 bar (5000/7200 psi)
Rated flow:	80 l/min (21 gpm)
Cavity:	SAE-10-2N
Weight:	0.18 kg (0.40 lbs)
Min. voltage required:	90% of nominal
Coil type:	M7 or M3 type
Ambient temperature:	-20/+50 °C (-4/+122 °F)
Contamination class to ISO 4406:	See technical spec.
Seal kit:	RA900082
Installation torque:	55 - 62 Nm (41 - 46 ft-lb)
MTF <sub>d</sub> :	150 - 1200 years: See technical spec.

**NOTES**

For other configurations/quick codes not available in this catalogue page please consult factory

**CURVES**



**OPTIONS**

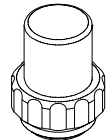
Standard



Knob style override



**SEALING CAP**



Ordering code:  
AT000113

**ORDERING CODES**

Quick code	Description	Options	Max operating pressure	Extra Spring
CE000253	CEBN-080-NCFN-05-S10-N350	Standard	350 bar (5000 psi)	No
CE000255	CEBN-080-NCFK-05-S10-N350	Knob style override	350 bar (5000 psi)	No
CE000254	CEBN-080-XCFN-05-S10-N350	Standard	350 bar (5000 psi)	Yes
CE000256	CEBN-080-XCFK-05-S10-N350	Knob style override	350 bar (5000 psi)	Yes
CE000553	CEBN-080-NCFN-05-S10-N500	Standard	500 bar (7200 psi)	No
CE000555	CEBN-080-NCFK-05-S10-N500	Knob style override	500 bar (7200 psi)	No