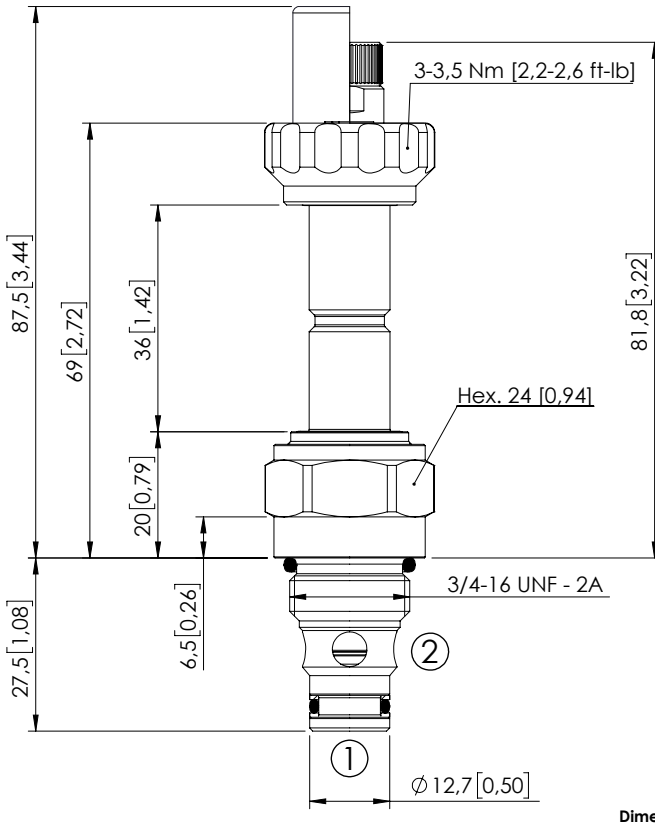
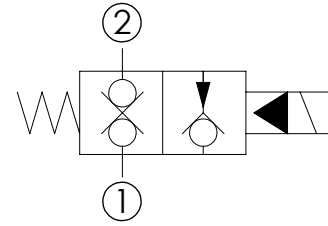


SOLENOID OPERATED CARTRIDGE

CEBN-060-NCFN-11 PILOT OPERATED POPPET TYPE



Dimensions: mm [inches]



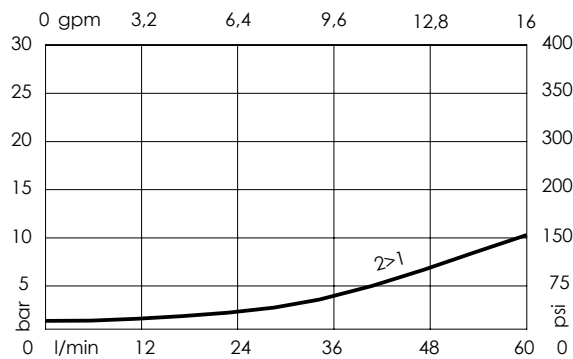
SPECIFICATIONS

Max. operating pressure:	350/500 bar (5000/7200 psi)
Rated flow:	60 l/min (16 gpm)
Cavity:	SAE-08-2N
Weight:	0,15 kg (0,30 lbs)
Min. voltage required:	90% of nominal
Coil type:	M7 or M3 type
Ambient temperature:	-20/+50 °C (-4/+122 °F)
Contamination class to ISO 4406:	See technical spec.
Seal kit:	RB900081
Installation torque:	45 - 50 Nm (33 - 37 ft-lb)
MTF _d :	150 years

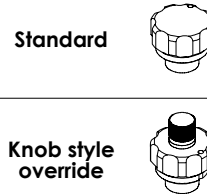
NOTES

For other configurations/quick codes not available in this catalogue page please consult factory

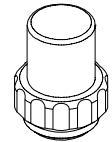
CURVES



OPTIONS



SEALING CAP



Ordering code:
AT000113

ORDERING CODES

Quick code	Description	Options	Max operating pressure
CE000222	CEBN-060-NCFN-11-S08-N350	Standard	350 bar (5000 psi)
CE000224	CEBN-060-NCFK-11-S08-N350	Knob style override	350 bar (5000 psi)
CE000522	CEBN-060-NCFN-11-S08-N500	Standard	500 bar (7200 psi)
CE000524	CEBN-060-NCFK-11-S08-N500	Knob style override	500 bar (7200 psi)