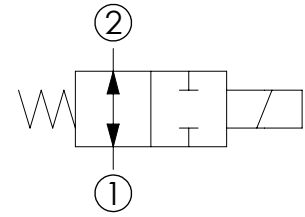
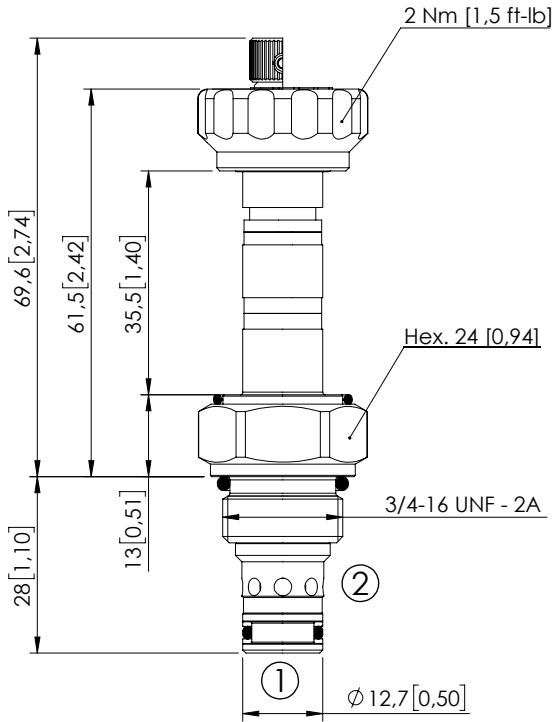


SOLENOID OPERATED CARTRIDGE

CEBS-010-NAFN-23

DIRECT OPERATED
SPOOL TYPE



SPECIFICATIONS

Max. operating pressure:	210 bar (3000 psi)
Rated flow:	10 l/min (3 gpm)
Cavity:	SAE-08-2N
Weight:	0,12 kg (0,26 lbs)
Min. voltage required:	90% of nominal
Coil type:	M7 or M3 type
Ambient temperature:	-20/+50 °C (-4/+122 °F)
Contamination class to ISO 4406:	See technical spec.
Seal kit:	RB700081
Installation torque:	45 - 50 Nm (33 - 37 ft-lb)
MTF _d :	150 - 1200 years: See technical spec.

Dimensions: mm [inches]

NOTES

For other configurations/quick codes not available in this catalogue page please consult factory

OPTIONS

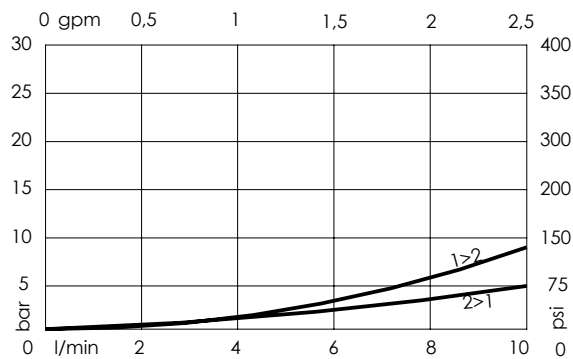
Standard



Knob style override



CURVES



ORDERING CODES

Quick code	Description	Options	Max operating pressure
CE000090	CEBS-010-NAFN-23-S08-N210	Standard	210 bar (3000 psi)
CE000091	CEBS-010-NAFE-23-S08-N210	Knob style override	210 bar (3000 psi)