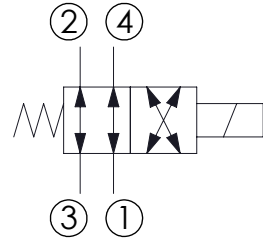
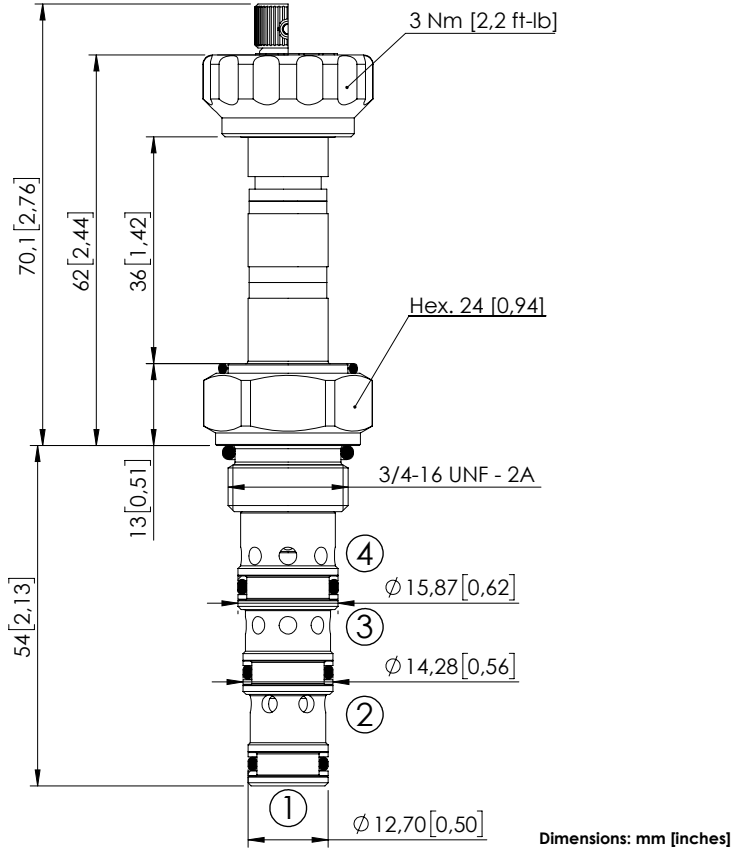


SOLENOID OPERATED CARTRIDGE

CEDS-015-SEFN-40

DIRECT OPERATED
SPOOL TYPE



SPECIFICATIONS

| | |
|------------------------------------|--|
| Max. operating pressure: | 350 bar (5000 psi) |
| Max. operating pressure on port 1: | 280 bar (4000 psi) |
| Rated flow: | 15 l/min (4 gpm) |
| Cavity: | SAE-08-4N |
| Weight: | 0,14 kg (0,26 lbs) |
| Min. voltage required: | 90% of nominal |
| Coil type: | M7 or M3 type |
| Ambient temperature: | -20/+50 °C (-4/+122 °F) |
| Contamination class to ISO 4406: | See technical spec. |
| Seal kit: | RB700101 |
| Installation torque: | 45 - 50 Nm (33 - 37 ft-lb) |
| MTF _a : | 150 - 1200 years: See technical spec. |
| Leakage: | 120 cm ³ /min (@46 cSt) 7,3 in ³ /min (@46 cSt) |

NOTES

For other configurations/quick codes not available in this catalogue page please consult factory

OPTIONS

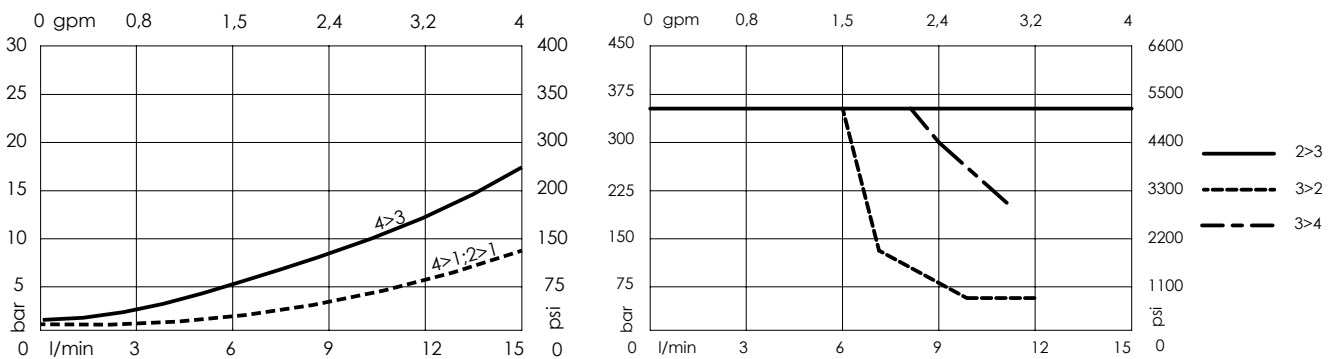
Standard



Knob style override



CURVES



ORDERING CODES

| Quick code | Description | Options |
|------------|---------------------------|---------------------|
| CE000014 | CEDS-015-SEFN-40-S08-N350 | Standard |
| CE000071 | CEDS-015-SEFE-40-S08-N350 | Knob style override |
| | | |
| | | |
| | | |
| | | |