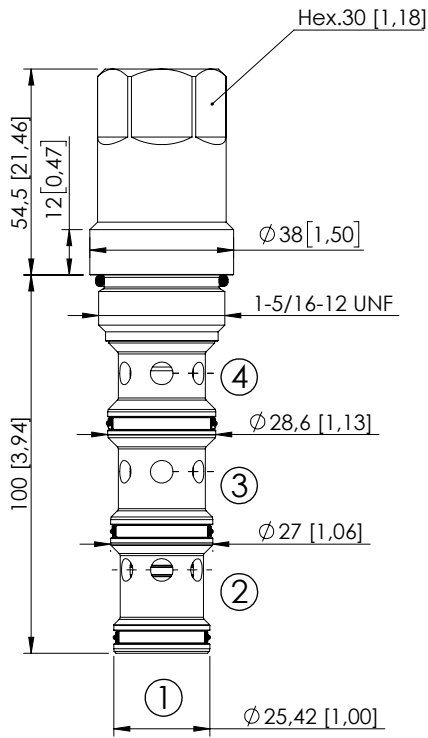


CDLN-160-CDAS

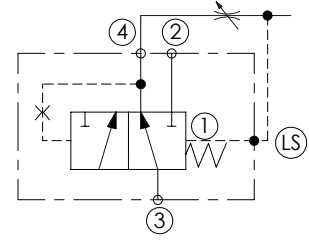
PRIORITY
SPOOL TYPE



Dimensions: mm [inches]

SPECIFICATIONS

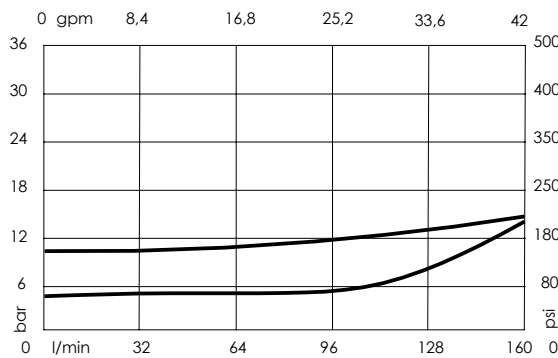
Max. operating pressure:	350 bar (5000 psi)
Rated flow:	160 l/min (42 gpm)
Cavity:	SAE-16-4N
Weight:	0,62 kg (137 lbs)
Installation torque:	125 - 135 Nm (92-99 ft-lb)
Seal kit:	RB600104
Contamination class to ISO 4406:	See technical spec.
MTTF _d :	150 - 1200 years: See technical spec.



NOTES

For other configurations/quick codes not available in this catalogue page please consult factory

CURVES



ORDERING CODES

Quick code	Description	Cracking pressure
CD000603	CDLN-160-CDAS-FN-S16-N005	5 bar ±1 (72,5 psi ±15)
CD000605	CDLN-160-CDAS-FN-S16-N010	10 bar ±1 (145 psi ±15)