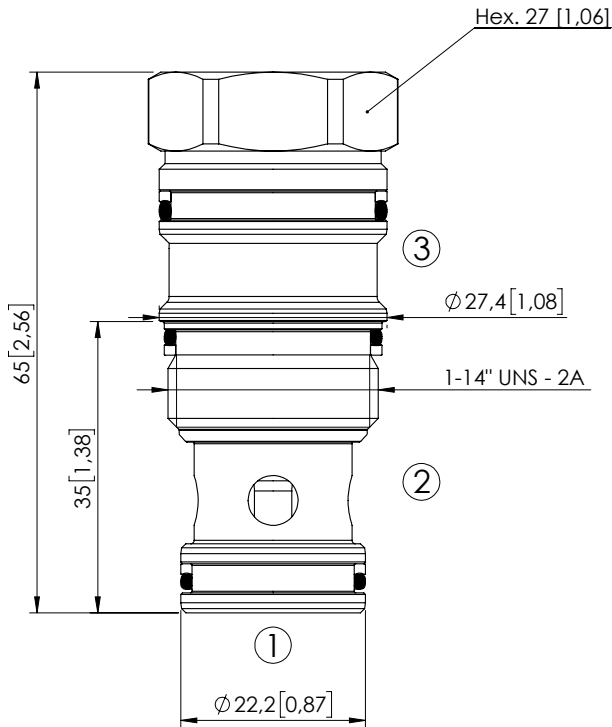
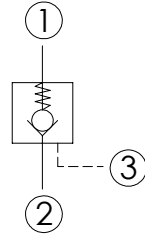


CDPN-120-PSGR

INTEGRAL PILOT
PISTON



Dimensions: mm [inches]



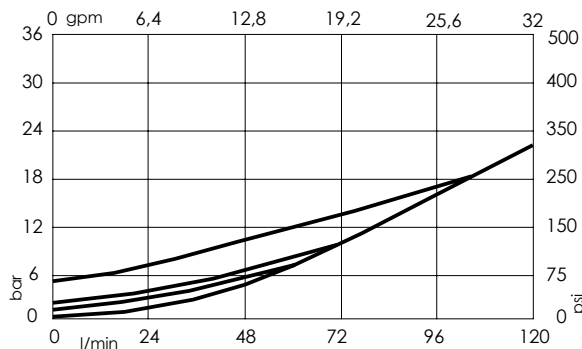
SPECIFICATIONS

Max. operating pressure:	350 bar (5000 psi)
Rated flow:	120 l/min (32 gpm)
Cavity:	VP000165 (SUN T-2A)
Weight:	0,2 kg (0,44 lbs)
Pilot ratio:	3,5 : 1
Contamination class to ISO 4406:	See technical spec.
Seal kit:	RC700165
Installation torque:	60 - 65 Nm (44 - 48 ft-lb)
MTTFa:	150 - 1200 years: See technical spec.

NOTES

For other configurations/quick codes not available in this catalogue page please consult factory

CURVES



ORDERING CODES

Quick code	Description	Cracking pressure	O-ring on pilot piston
CD000546	CDPN-120-PSGR-03-165-N000	0,3 bar (5 psi)	NO
CD000504	CDPN-120-PSGR-03-165-N002	2 bar (25 psi)	YES
CD000549	CDPN-120-PSGM-03-165-N002	2 bar (25 psi)	NO
CD000536	CDPN-120-PSGM-03-165-N003	3 bar (50 psi)	NO
CD000547	CDPN-120-PSGR-03-165-N005	5 bar (75 psi)	YES