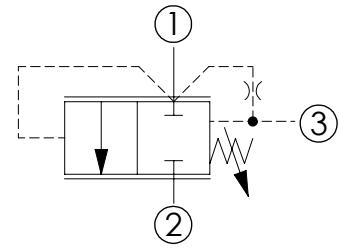
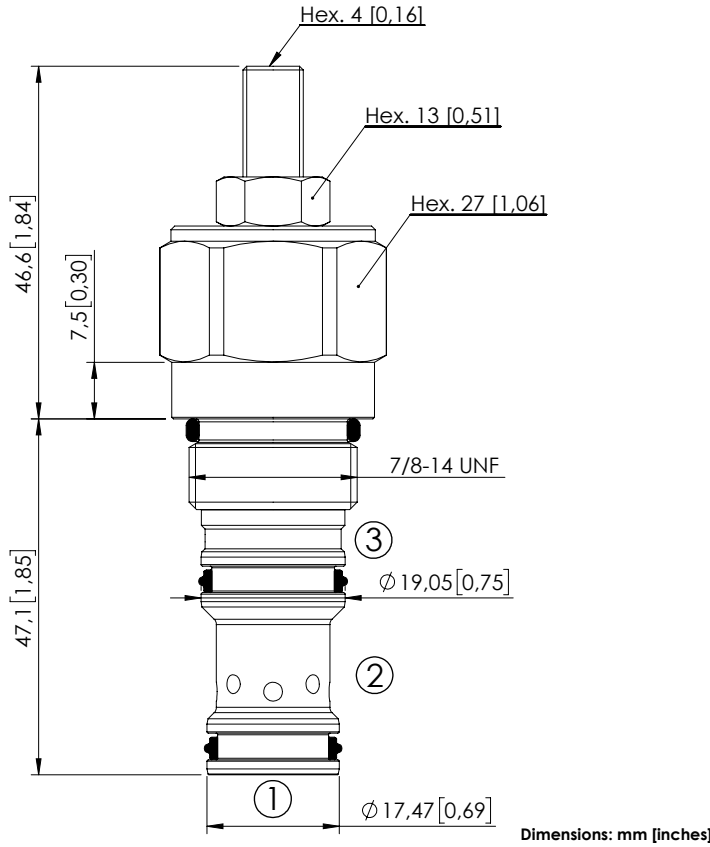


# CDLN-100-CCRC

NORMALLY CLOSED  
SPOOL TYPE  
ADJUSTABLE SETTING



## SPECIFICATIONS

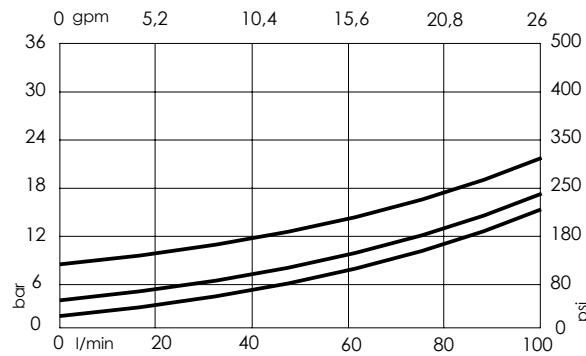
Max. operating pressure:	350 bar (5000 psi)
Rated flow:	100 l/min (26 gpm)
Cavity:	SAE-10-3C
Weight:	0,2 kg (0,44 lbs)
Spool:	Ø10 mm [0,39]
Installation torque:	55 - 62 Nm (41 - 46 ft-lb)
Seal kit:	RB600087
Contamination class to ISO 4406:	See technical spec.
MTTFa:	150 years

## NOTES

For sealing, please contact AFT.

For other configurations/quick codes not available in this catalogue page please consult factory

## CURVES



## ORDERING CODES

Quick code	Description	Cracking pressure	Adjustment range	Pressure increase
CD000514	CDLN-100-CCRC-38-S10-H005	2,5 bar (35 psi)	1,5 - 5 bar (20-75 psi)	0,5 bar/turn (7 psi/turn)
CD000515	CDLN-100-CCRC-38-S10-H008	4 bar (50 psi)	2,5 - 8 bar (35-120 psi)	0,8 bar/turn (12 psi/turn)
CD000516	CDLN-100-CCRC-38-S10-H012	8 bar (120 psi)	4,5 - 12 bar (65-170 psi)	1 bar/turn (15 psi/turn)