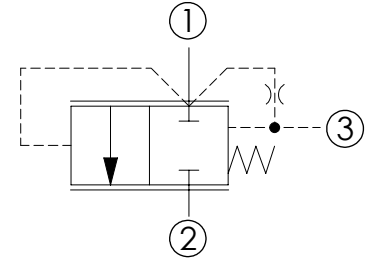
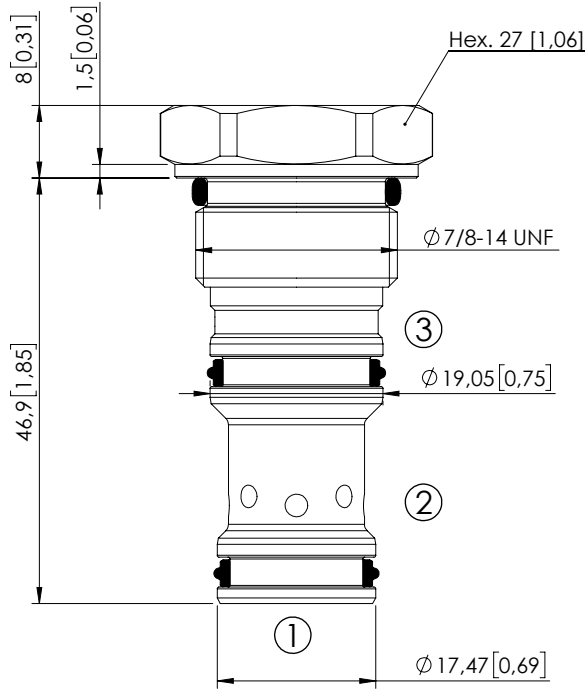


# CDLN-100-CCPC

NORMALLY CLOSED  
SPOOL TYPE



## SPECIFICATIONS

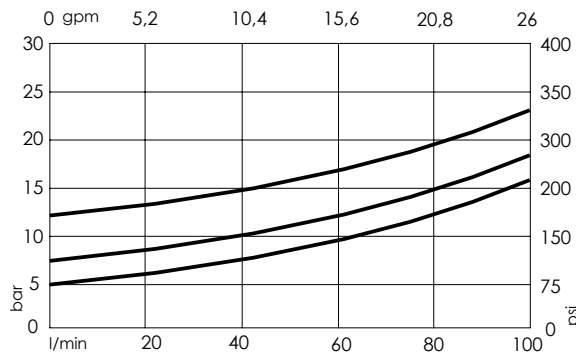
|                                  |                                       |
|----------------------------------|---------------------------------------|
| Max. operating pressure:         | 350 bar (5000 psi)                    |
| Rated flow:                      | 100 l/min (26 gpm)                    |
| Cavity:                          | SAE-10-3C                             |
| Weight:                          | 0,11 kg (0,24 lbs)                    |
| Spool:                           | $\Phi 10$ mm [0,39]                   |
| Seal kit:                        | RB600087                              |
| Installation torque:             | 55 - 62 Nm (41 - 46 ft-lb)            |
| Contamination class to ISO 4406: | See technical spec.                   |
| MTTF:                            | 150 - 1200 years: See technical spec. |

Dimensions: mm [inches]

## NOTES

For other configurations/quick codes not available in this catalogue page please consult factory

## CURVES



## ORDERING CODES

| Quick code | Description               | Cracking pressure |
|------------|---------------------------|-------------------|
| CD000511   | CDLN-100-CCPC-13-S10-N005 | 5 bar (75 psi)    |
| CD000512   | CDLN-100-CCPC-13-S10-N008 | 8 bar (120 psi)   |
| CD000513   | CDLN-100-CCPC-13-S10-N012 | 12 bar (170 psi)  |
|            |                           |                   |
|            |                           |                   |
|            |                           |                   |