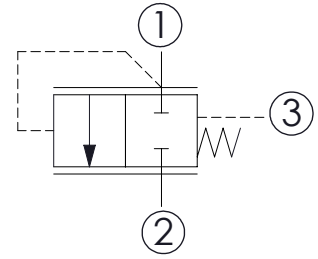
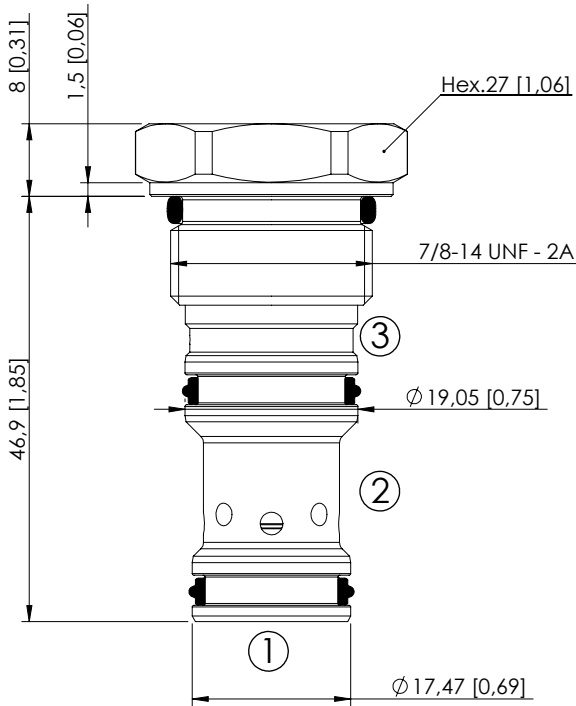


CDLN-100-CCPC

NORMALLY CLOSED
SPOOL TYPE



SPECIFICATIONS

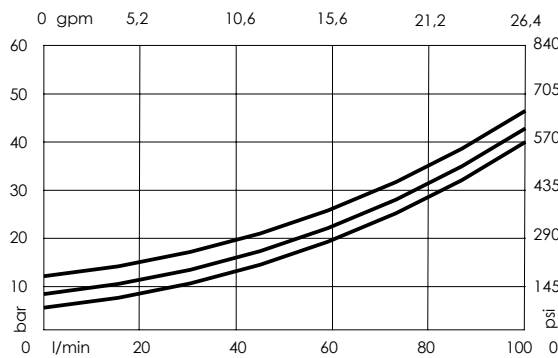
Max. operating pressure:	350 bar (5000 psi)
Rated flow:	100 l/min (26,5 gpm)
Cavity:	SAE-10-3C/SAE-10-3S
Weight:	0,11 kg (0,24 lbs)
Spool:	ϕ 10 mm [0,39]
Seal kit:	RB600087
Installation torque:	55 - 62 Nm (41 - 46 ft-lb)
Contamination class to ISO 4406:	See technical spec.
MTTFa:	150 - 1200 years: See technical spec.

Dimensions: mm [inches]

NOTES

For other configurations/quick codes not available in this catalogue page please consult factory

CURVES



ORDERING CODES

Quick code	Description	Cracking pressure
CD000505	CDLN-100-CCPC-14-S10-N005	5 bar (75 psi)
CD000506	CDLN-100-CCPC-14-S10-N008	8 bar (120 psi)
CD000507	CDLN-100-CCPC-14-S10-N012	12 bar (170 psi)