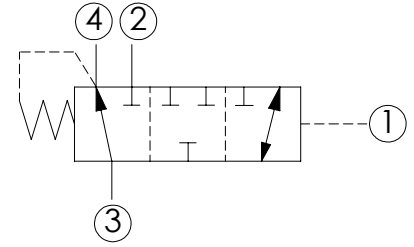
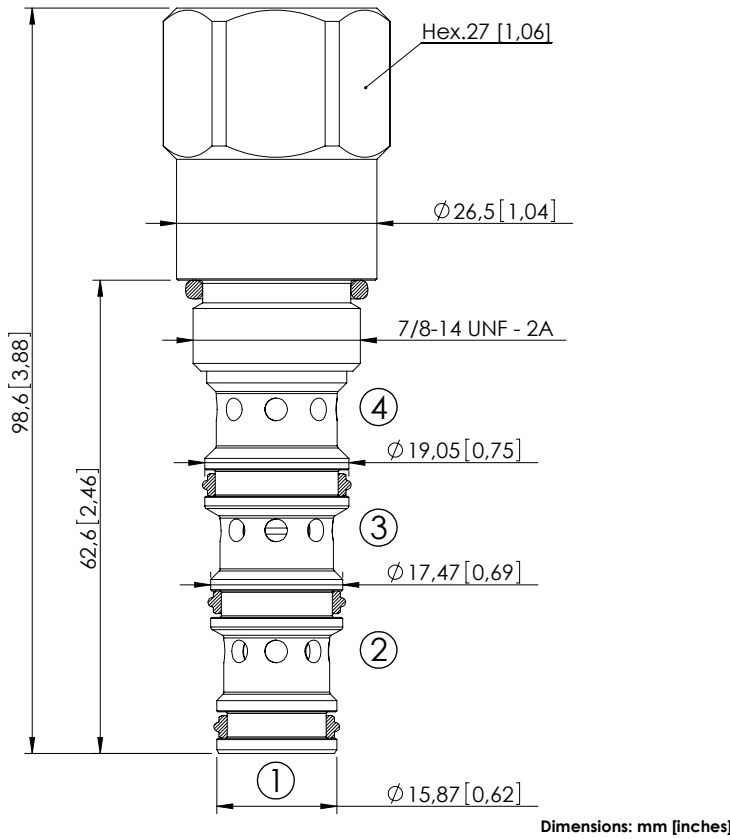


CDLN-040-CDTK

DIRECT ACTING
SPOOL TYPE



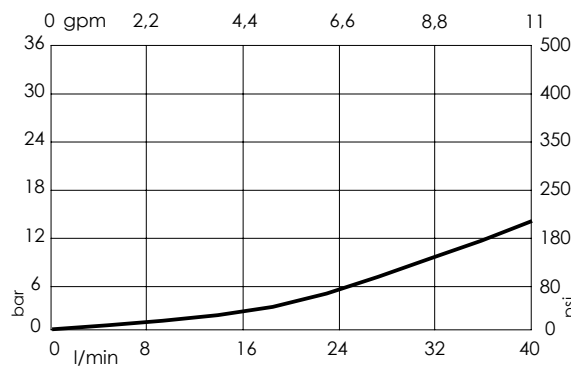
SPECIFICATIONS

| | |
|----------------------------------|--|
| Max. operating pressure: | 350 bar (5000 psi) |
| Rated flow: | 40 l/min (11 gpm) |
| Cavity: | SAE-10-4N |
| Weight: | 0,23 kg (0,51 lbs) |
| Installation torque: | 55-62 Nm (41-46 ft-lb) |
| Seal kit: | RB700102 |
| Internal leakage: | 50 cc/min 3,05 in ³ /min |
| Contamination class to ISO 4406: | See technical spec. |
| MTTF: | 150 - 1200 years: See technical spec. |

NOTES

For other configurations/quick codes not available in this catalogue page please consult factory

CURVES



ORDERING CODES

| Quick code | Description | Cracking pressure |
|------------|---------------------------|---------------------------------------|
| CD000300 | CDLN-040-CDTK-FN-S10-N003 | 3 bar ± 1 (50 psi ± 15) |
| CD000487 | CDLN-040-CDTK-FN-S10-N005 | 5 bar ± 1 (75 psi ± 15) |
| CD000260 | CDLN-040-CDTK-FN-S10-N011 | 11 bar ± 1 (150 psi ± 15) |
| | | |
| | | |
| | | |