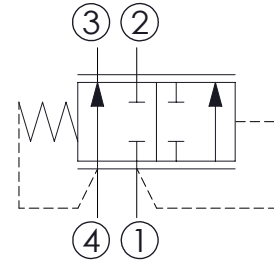
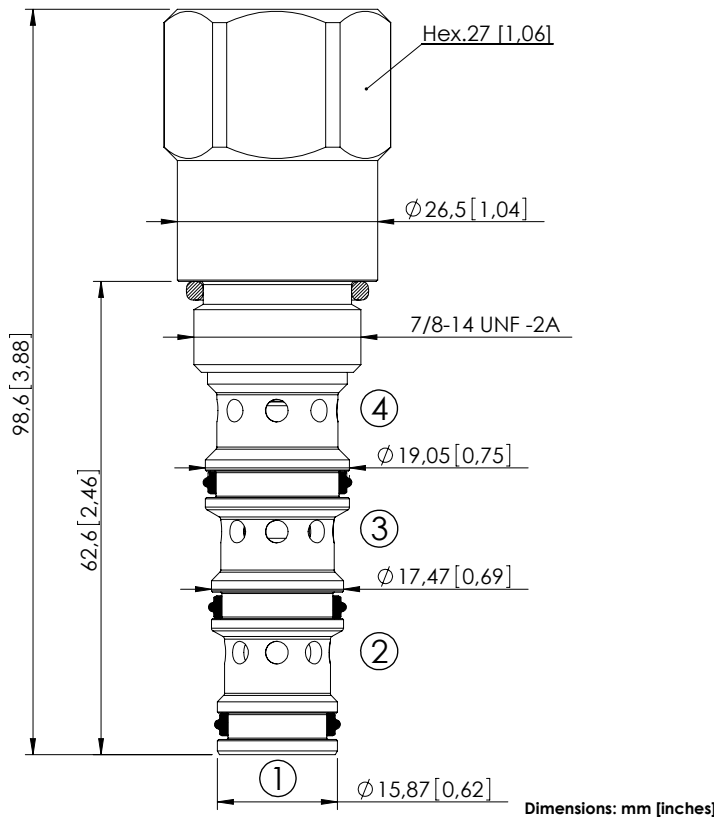


CDLN-040-CDPB

DIRECT ACTING
SPOOL TYPE



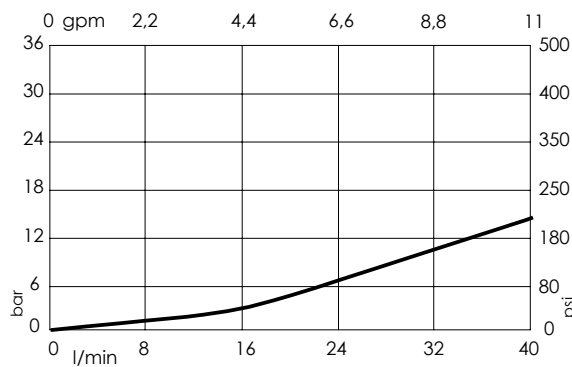
SPECIFICATIONS

Max. operating pressure:	350 bar (5000 psi)
Rated flow:	40 l/min (11 gpm)
Cavity:	SAE-10-4N
Weight:	0,23 kg (0,51 lbs)
Installation torque:	55 - 62 Nm (41 - 46 ft-lb)
Seal kit:	RB700102
Internal leakage:	50 cc/min 3,05 in ³ /min
Contamination class to ISO 4406:	See technical spec.
MTTF _a :	150 - 1200 years: See technical spec.

NOTES

For other configurations/quick codes not available in this catalogue page please consult factory

CURVES



ORDERING CODES

Quick code	Description	Cracking pressure
CD000295	CDLN-040-CDPB-FH-S10-N005	5 bar $\pm 0,5$ (75 psi ± 10)
CD000296	CDLN-040-CDPB-FH-S10-N011	11,5 bar $\pm 0,5$ (170 psi ± 15)