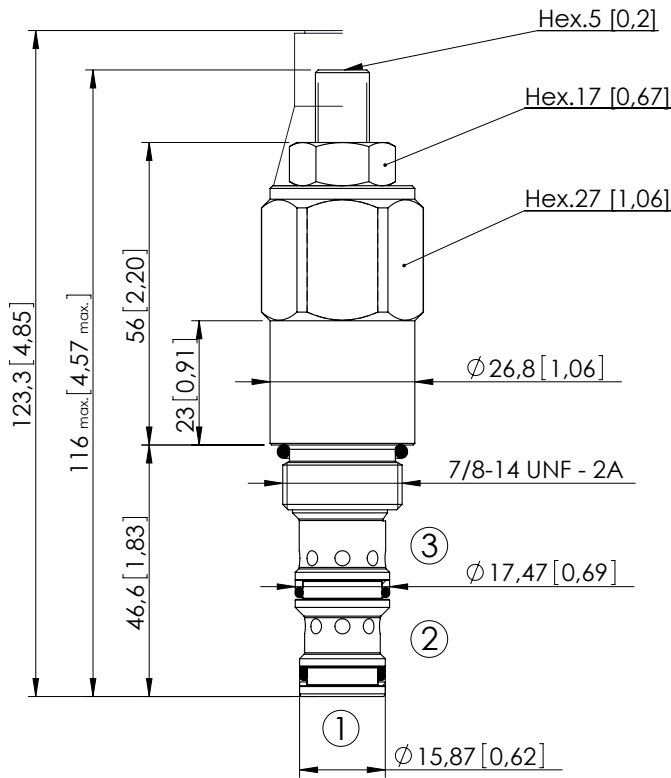
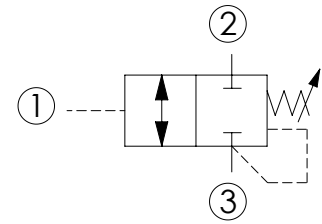


CDLN-040-CCTC

DIRECT ACTING
SPOOL TYPE



Dimensions: mm [inches]



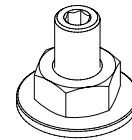
SPECIFICATIONS

Max. operating pressure:	350 bar (5000 psi)
Rated flow:	40 l/min (11 gpm)
Cavity:	SAE-10-3N
Weight:	0.29 kg (0,64 lbs)
Contamination class to ISO 4406:	See technical spec.
Seal kit:	RB700092
Installation torque:	55 - 62 Nm (41 - 46 ft-lb)
MTTF _d :	150 - 1200 years: See technical spec.

NOTES

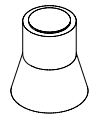
Pressure in port 3 is additive to setting 1:1. For back pressure compensated valve consult CDLN-040-CCVC data sheet. No O-ring on 1.
For other configurations/quick codes not available in this catalogue page please consult factory

OPTIONS



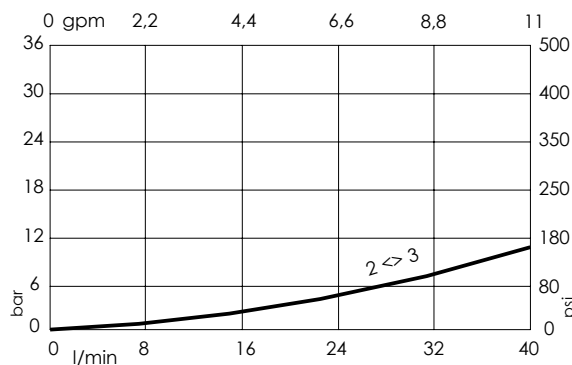
Adjustment with Screw

SEALING CAP



Ordering code:
AT000022

CURVES



ORDERING CODES

Quick code	Description	Standard setting Q=5 l/min (1,3 gpm)	Adjustment range	Pressure increase	Option
CD000121	CDLN-040-CCTC-HN-S10-N060	30 bar (400 psi)	10-60 bar (150-850 psi)	11 bar/turn (150 psi/turn)	Adjustment with Screw