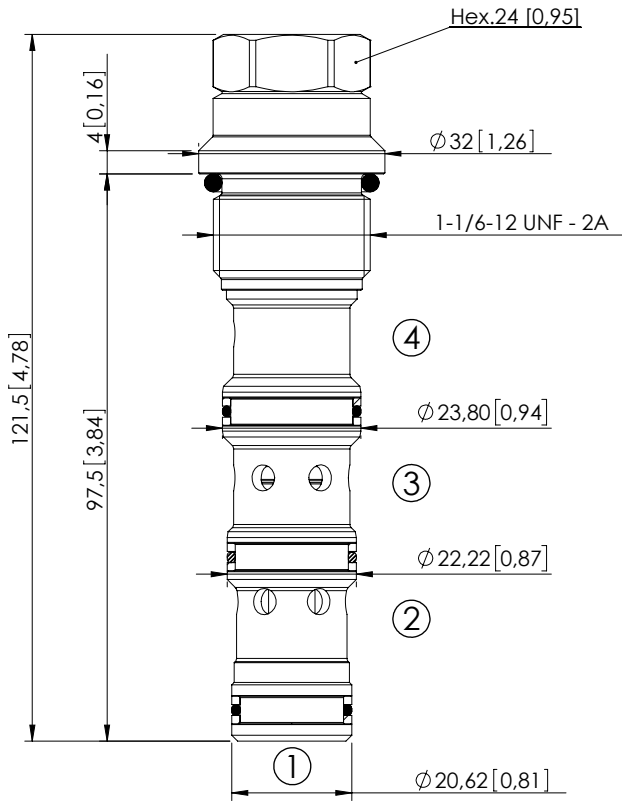
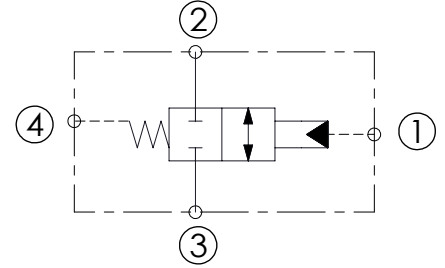


CDLN-150-CCTB

DIRECT ACTING
SPOOL TYPE



Dimensions: mm [inches]



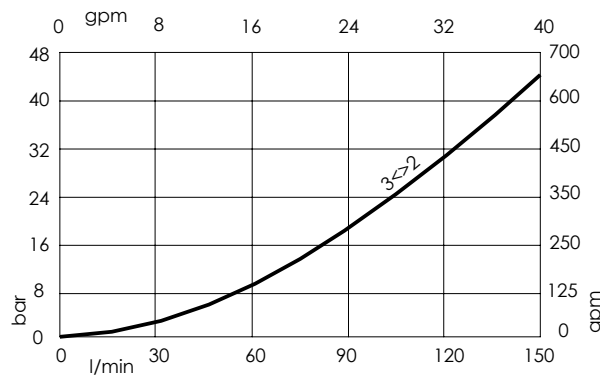
SPECIFICATIONS

Max. operating pressure:	350 bar (5000 psi)
Rated flow:	150 l/min (40 gpm)
Cavity:	SAE-12-4N
Weight:	0,33 kg (0,73 lbs)
Installation torque:	110 - 120 Nm (81 - 89 ft-lb)
Seal kit:	RB700103
Contamination class to ISO 4406:	See technical spec.
MTF _d :	150 - 1200 years: See technical spec.

NOTES

For other configurations/quick codes not available in this catalogue page please consult factory

CURVES



ORDERING CODES

Quick code	Description	Cracking pressure
CD000105	CDLN-150-CDTB-FN-S12-N007	7,5 bar (0/+2) (100 psi (0/+25))