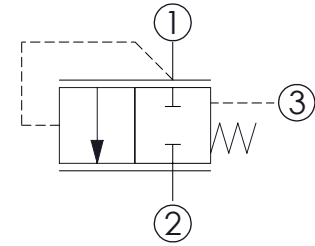
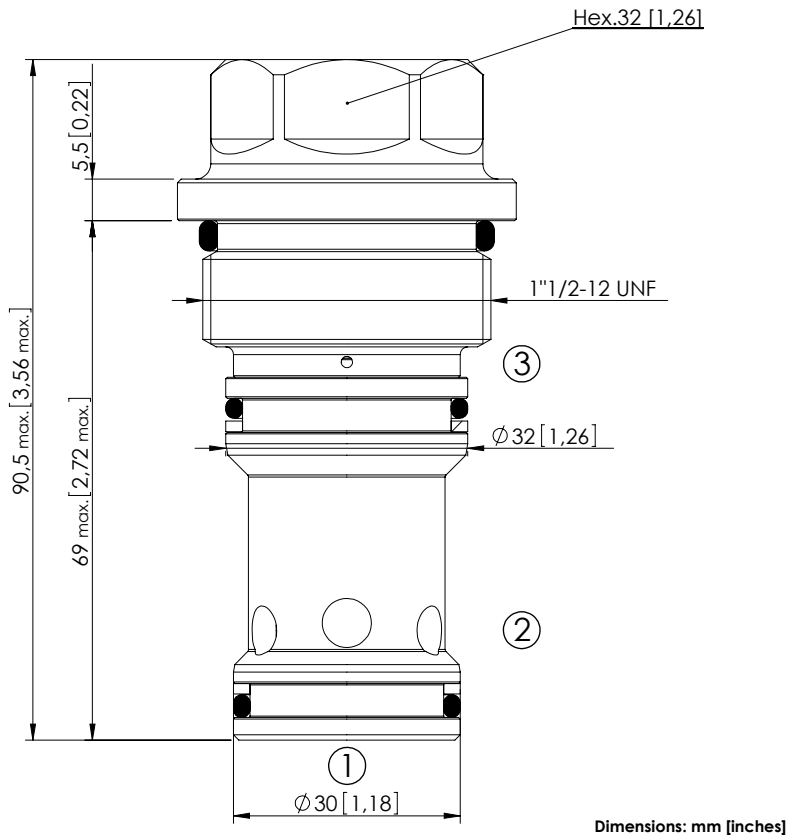


# CDLN-300-SCTC

NORMALLY CLOSED  
SPOOL TYPE



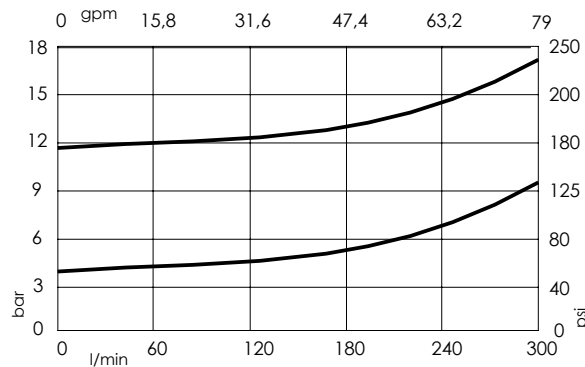
## SPECIFICATIONS

Max. operating pressure:	350 bar (5000 psi)
Rated flow:	300 l/min (79 gpm)
Cavity:	VP000058
Weight:	0,47 kg (1,03 lbs)
Spool:	$\phi 19$ mm [0,75]
Installation torque:	280 - 300 Nm (207 - 221 ft-lb)
Seal kit:	RC700058
Contamination class to ISO 4406:	See technical spec.
MTTF:	150 - 1200 years: See technical spec.

## NOTES

Parts in body compensator  
For other configurations/quick codes not available in this catalogue page please consult factory

## CURVES



## ORDERING CODES

Quick code	Description	Cracking pressure
CD000096	CDLN-300-SCTC-14-058-N004	4 bar (50 psi)
CD000311	CDLN-300-SCTC-14-058-N012	11,5 bar (180 psi)