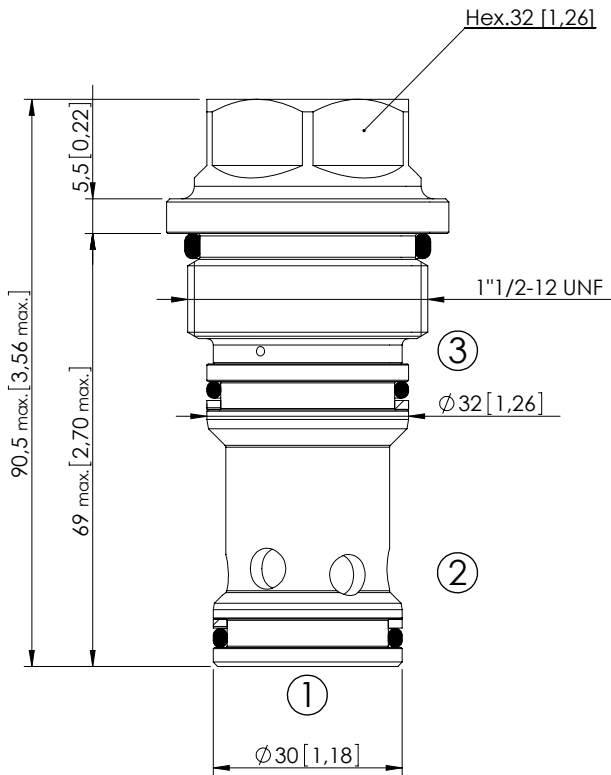
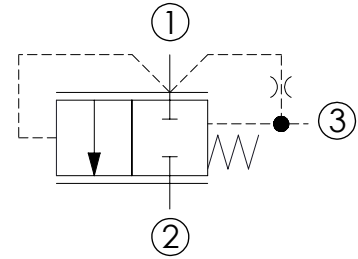


CDLN-300-SCTD

NORMALLY CLOSED
SPOOL TYPE
INTERNAL ORIFICE



Dimensions: mm [inches]



SPECIFICATIONS

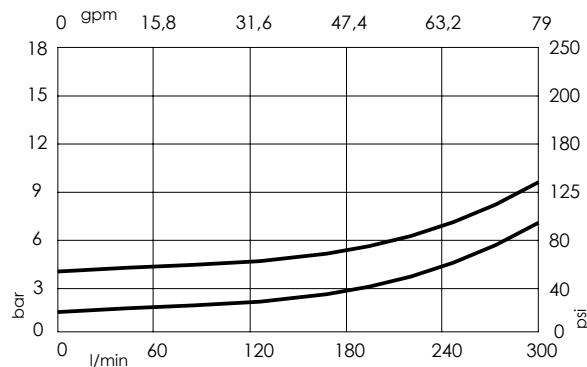
Max. operating pressure:	350 bar (5000 psi)
Rated flow:	300 l/min (79 gpm)
Cavity:	VP000058
Weight:	0,45 kg (1 lbs)
Spool:	$\phi 19$ mm [0,75]
Installation torque:	280 - 300 Nm (207 - 221 ft-lb)
Internal orifice:	M6 thread
Seal kit:	RC700058
Contamination class to ISO 4406:	See technical spec.
MTF _a :	150 - 1200 years: See technical spec.

NOTES

Parts in body compensator

For other configurations/quick codes not available in this catalogue page please consult factory

CURVES



ORDERING CODES

Quick code	Description	Cracking pressure
CD000095	CDLN-300-SCTD-13-058-N001	1,5 bar (25 psi)
CD000110	CDLN-300-SCTD-13-058-N004	4 bar (50 psi)