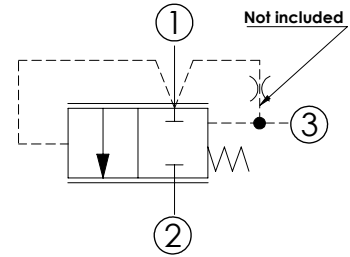
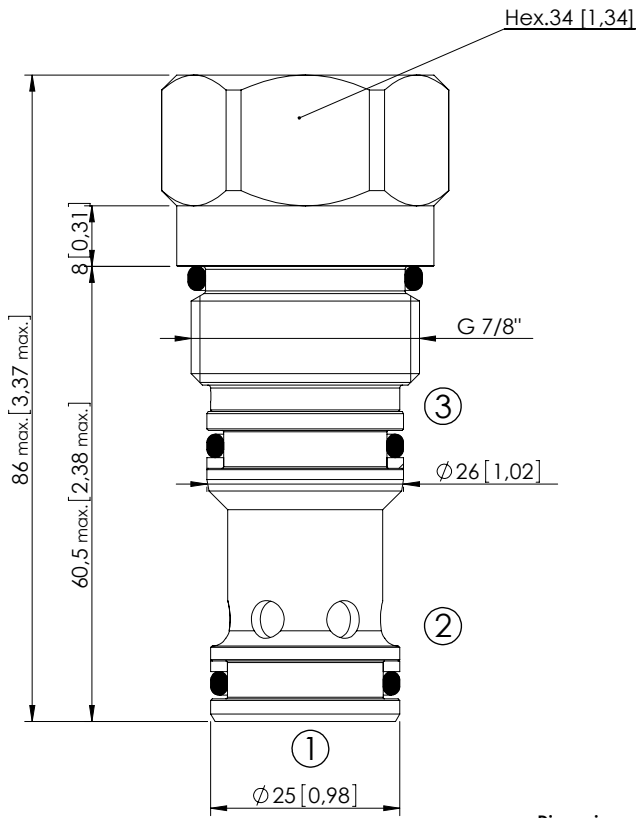


# CDLN-160-SCTD

NORMALLY CLOSED  
SPOOL TYPE  
INTERNAL ORIFICE



## SPECIFICATIONS

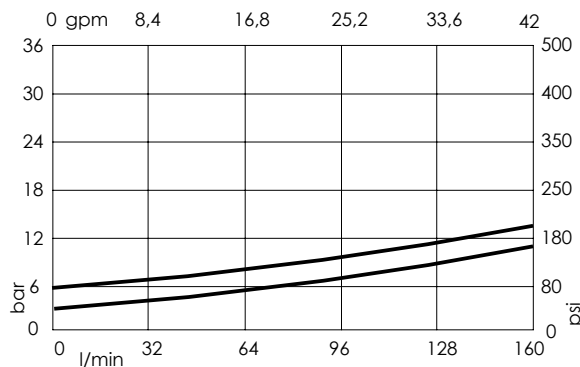
Max. operating pressure:	350 bar (5000 psi)
Rated flow:	160 l/min (42 gpm)
Cavity:	VP000065
Weight:	0,32 kg (0,71 lbs)
Spool:	$\phi 16$ mm [0,63]
Installation torque:	135 - 145 Nm (100 - 107 ft-lb)
Internal orifice:	M6 thread
Seal kit:	RC900065
Contamination class to ISO 4406:	See technical spec.
MTTFa:	150 - 1200 years: See technical spec.

Dimensions: mm [inches]

## NOTES

Parts in body compensator  
For other configurations/quick codes not available in this catalogue page please consult factory

## CURVES



## ORDERING CODES

Quick code	Description	Cracking pressure
CD000081	CDLN-160-SCTD-13-065-N002	2 bar (25 psi)
CD000066	CDLN-160-SCTD-13-065-N006	6 bar (80 psi)
CD000003	CDLN-160-SCTD-13-065-N012	12 bar (180 psi)
CD000004	CDLN-160-SCTD-13-065-N016	16 bar (240 psi)