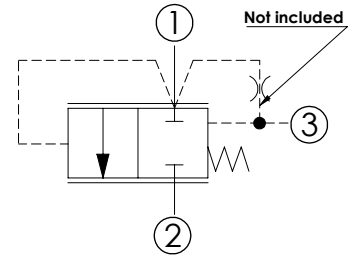
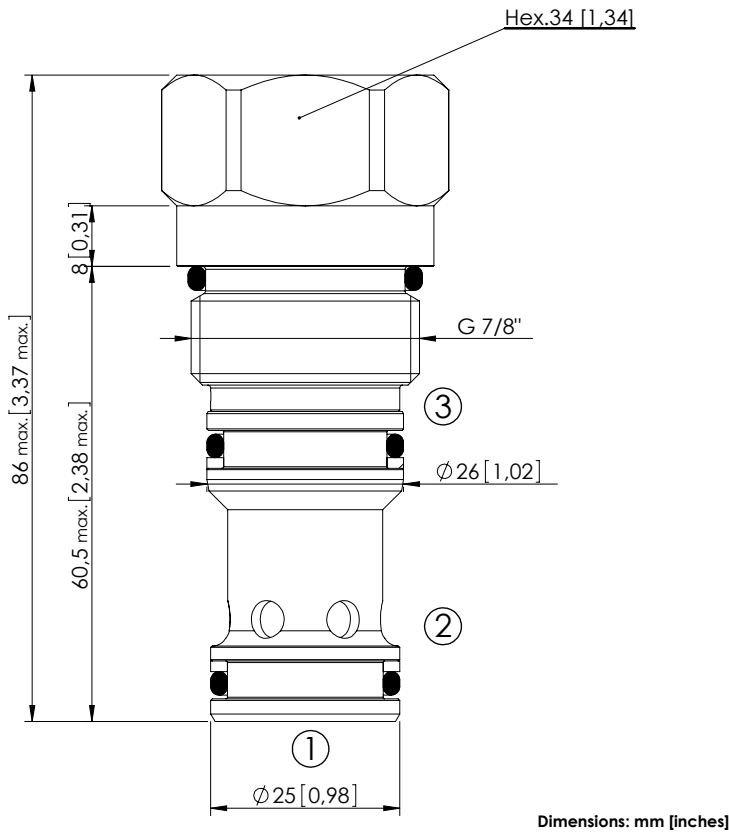


# CDLN-160-SCTD

NORMALLY CLOSED  
SPOOL TYPE  
INTERNAL ORIFICE



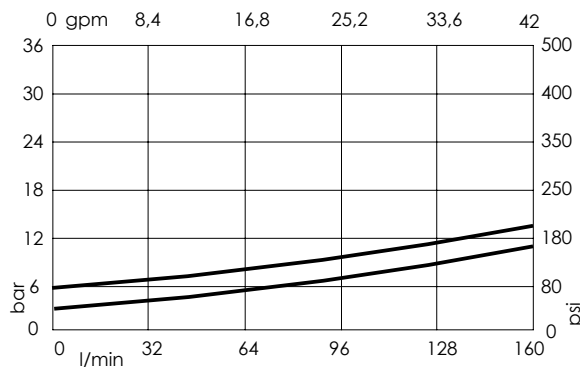
## SPECIFICATIONS

|                                  |                                |
|----------------------------------|--------------------------------|
| Max. operating pressure:         | 350 bar (5000 psi)             |
| Rated flow:                      | 160 l/min (42 gpm)             |
| Cavity:                          | VP000065                       |
| Weight:                          | 0,32 kg (0,71 lbs)             |
| Spool:                           | $\phi 16$ mm [0,63]            |
| Installation torque:             | 135 - 145 Nm (100 - 107 ft-lb) |
| Internal orifice:                | M6 thread                      |
| Seal kit:                        | RC900065                       |
| Contamination class to ISO 4406: | See technical spec.            |
| MTTFa:                           | 150 years                      |

## NOTES

Parts in body compensator  
For other configurations/quick codes not available in this catalogue page please consult factory

## CURVES



## ORDERING CODES

| Quick code | Description               | Cracking pressure |
|------------|---------------------------|-------------------|
| CD000081   | CDLN-160-SCTD-13-065-N002 | 2 bar (25 psi)    |
| CD000066   | CDLN-160-SCTD-13-065-N006 | 6 bar (80 psi)    |
| CD000003   | CDLN-160-SCTD-13-065-N012 | 12 bar (180 psi)  |
| CD000004   | CDLN-160-SCTD-13-065-N016 | 16 bar (240 psi)  |