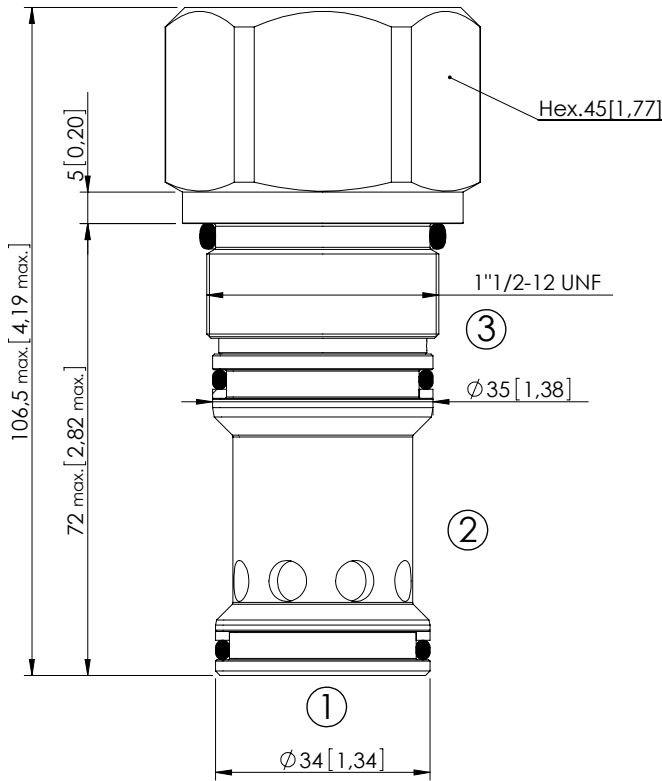
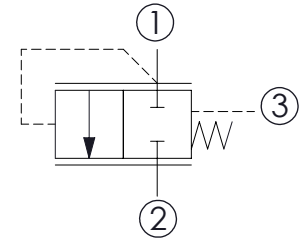


CDLN-500-SCTC

NORMALLY CLOSED
SPOOL TYPE



Dimensions: mm [inches]



SPECIFICATIONS

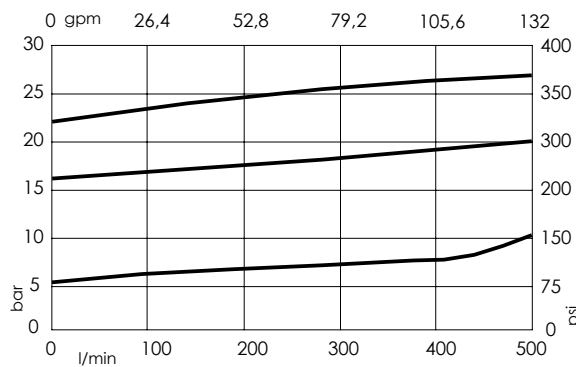
Max. operating pressure:	350 bar (5000 psi)
Rated flow:	500 l/min (132 gpm)
Cavity:	VP000178
Weight:	0,75 kg (1,65 lbs)
Spool:	$\phi 22$ mm [0,87]
Installation torque:	280 - 300 Nm (207 - 221 ft-lb)
Seal kit:	RC700178
Contamination class to ISO 4406:	See technical spec.
MTTF:	150 - 1200 years: See technical spec.

NOTES

Parts in body compensator

For other configurations/quick codes not available in this catalogue page please consult factory

CURVES



ORDERING CODES

Quick code	Description	Cracking pressure
CD000053	CDLN-500-SCTC-14-178-N005	5 bar (75 psi)
CD000255	CDLN-500-SCTC-14-178-N017	17 bar (250 psi)
CD000308	CDLN-500-SCTC-14-178-N023	23 bar (350 psi)