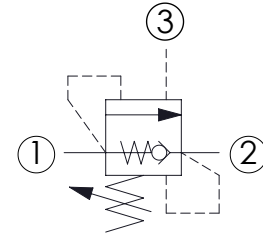
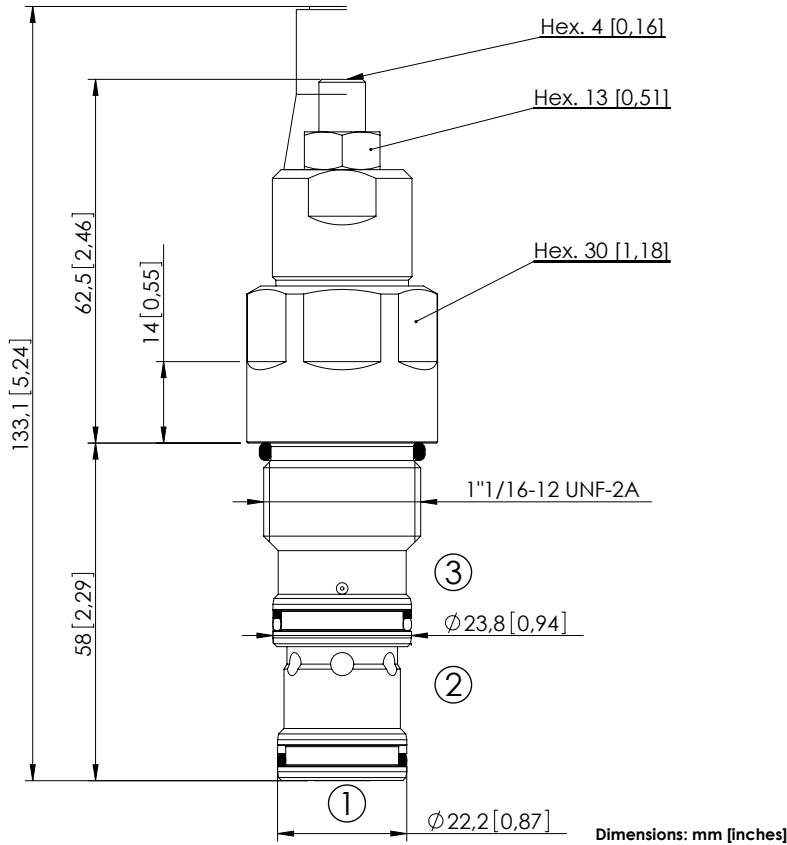


OVERCENTRE VALVE

CBSN-120-DARR

DIFFERENTIAL AREA
POPPET TYPE



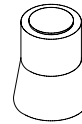
SPECIFICATIONS

| | |
|----------------------------------|----------------------------|
| Max. operating pressure: | 350 bar (5000 psi) |
| Rated flow: | 120 l/min (32 gpm) |
| Cavity: | SAE 12-3C |
| Weight: | 0,38 kg (0,84 lbs) |
| Installation torque: | 80 - 95 Nm (59 - 70 ft-lb) |
| Seal kit: | RA700088 |
| Contamination class to ISO 4406: | See technical spec. |
| MTFd: | 150 years |

NOTES

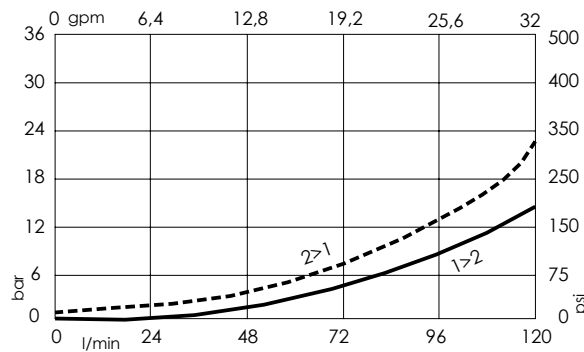
Setting: at least 1.3 times the load induced pressure.
Turn clockwise to increase the setting.

SEALING CAP



Ordering code:
AT000020

CURVES



ORDERING CODES

| Quick code | Description | Pilot ratio | Standard setting Q=5 l/min (1,3 gpm) | Adjustment range | Pressure increase |
|------------|---------------------------|-------------|-----------------------------------------|-----------------------------|------------------------------|
| CB000045 | CBSN-120-DARR-04-S12-N350 | 4:1 | 350 bar (5000 psi) | 140-350 bar (2000-5000 psi) | 174 bar/turn (2500 psi/turn) |
| CB000066 | CBSN-120-DARR-04-S12-N200 | 4:1 | 200 bar (2900 psi) | 70-210 bar (1000-3000 psi) | 58 bar/turn (850 psi/turn) |
| CB000062 | CBSN-120-DARR-08-S12-N350 | 8:1 | 350 bar (5000 psi) | 140-350 bar (2000-5000 psi) | 72 bar/turn (1000 psi/turn) |
| CB000067 | CBSN-120-DARR-08-S12-N200 | 8:1 | 200 bar (2900 psi) | 70-210 bar (1000-3000 psi) | 44 bar/turn (650 psi/turn) |